



StarSense Explorer™ DOB

Quick Setup Guide

#22480 STARSENSE EXPLORER 114MM TABLETOP DOBSONIAN

#22481 STARSENSE EXPLORER 130MM TABLETOP DOBSONIAN

#22482 STARSENSE EXPLORER 150MM TABLETOP DOBSONIAN

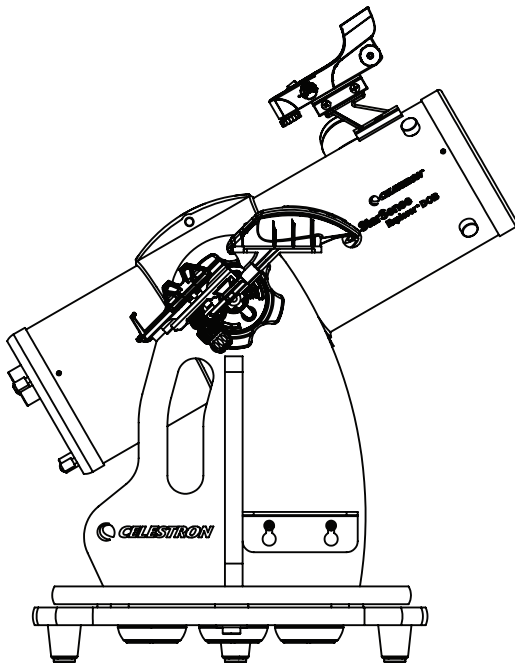
See product page at celestron.com for other language versions of this Instruction Manual.

Consultez la page produit sur celestron.com pour les autres versions linguistiques de ce manuel d'instructions

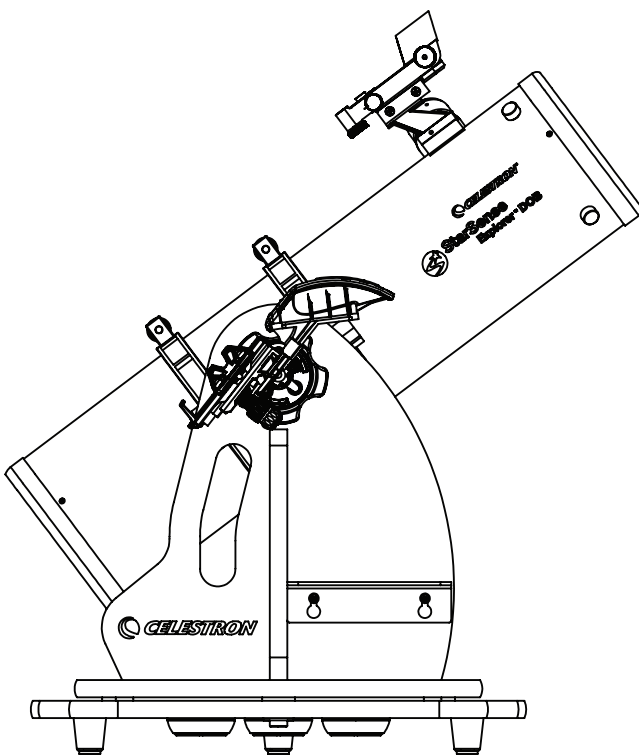
Siehe die Produktseite auf celestron.com für andere Sprachversionen dieser Bedienungsanleitung.

Consultare la pagina relativa al prodotto su celestron.com per le versioni in altre lingue del presente manuale di istruzioni.

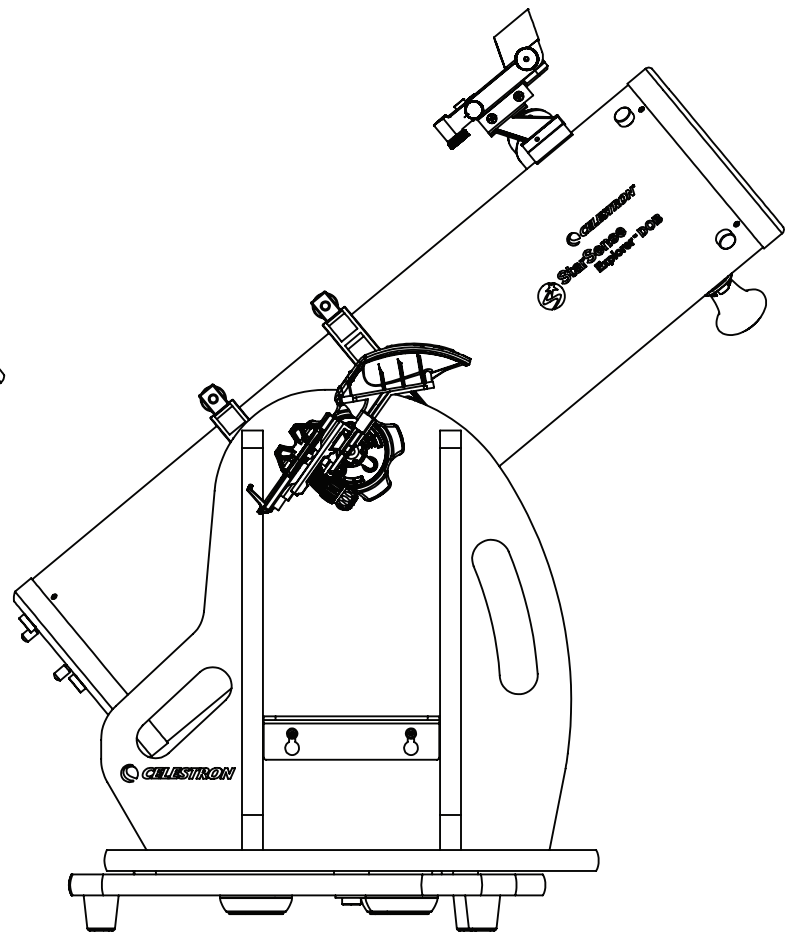
Consulte la página del producto en celestron.com para ver las versiones en otros idiomas de este Manual de instrucciones.



114mm

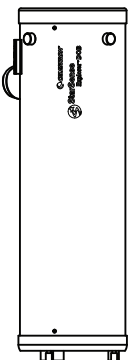
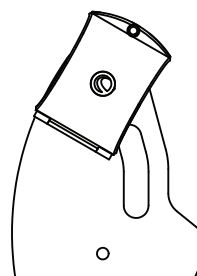
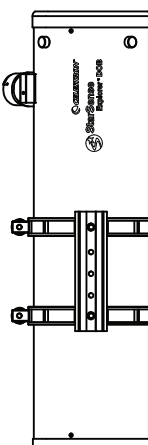
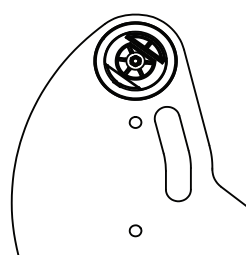
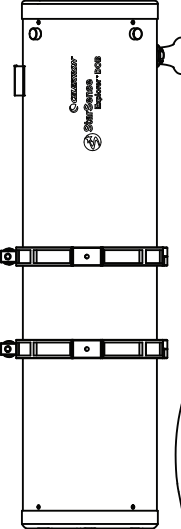
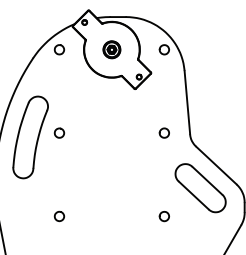



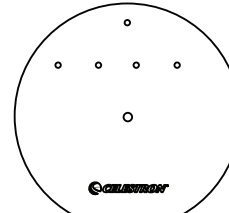
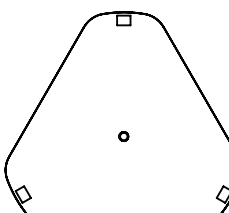


130mm




150mm

What's in the Box


114mm	130mm	150mm
 <p>A Optical tube assembly with dust cover</p>  <p>B1 Side panel assembly</p>	 <p>A Optical tube assembly with dust cover</p>  <p>B1 Side panel assembly</p>	 <p>A Optical tube assembly with dust cover</p>  <p>B1 Side panel assembly</p>

 <p>B2 Side support(s) 114mm (x1) 130mm (x1) 150mm (x2)</p>	 <p>B3 Top Plate</p>	 <p>B4 Bottom Plate</p>	 <p>B5 Base assembly screws 114mm (x6) 130mm (x7) 150mm (x11)</p>	 <p>B6 Base assembly screw covers 114mm (x2) 130mm (x2) 150mm (x6)</p>
--	---	--	---	--

TRIPOD ADAPTER



C1 Tripod adapter discs (x3)



C2 Tripod adapter screws (x9)

FEET ASSEMBLY



D1 Feet (x3)




D2 Feet screws (x3)




D3 Feet screw covers (x3)


AZIMUTH PIVOT BOLT ASSEMBLY




E1 Nut




E2 Steel washers (x2)



E3 Teflon washer

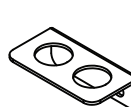


E4 Hollow plastic cylinder

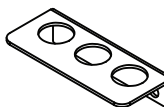


E5 Bolt


EYEPIECE RACK ASSEMBLY



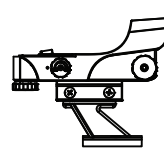
F1 Eyepiece rack 114mm




F1 Eyepiece rack 130mm 150mm




G StarSense Explorer Dock




H StarPointer red-dot finder



I1 17mm Eyepiece (114mm)
25mm Eyepiece (130mm & 150mm)




I2 10mm Eyepiece




J Collimation cap*

*For collimating your telescope's optics, refer to the full instruction manual at celestron.com.


INCLUDED TOOLS



Screwdriver

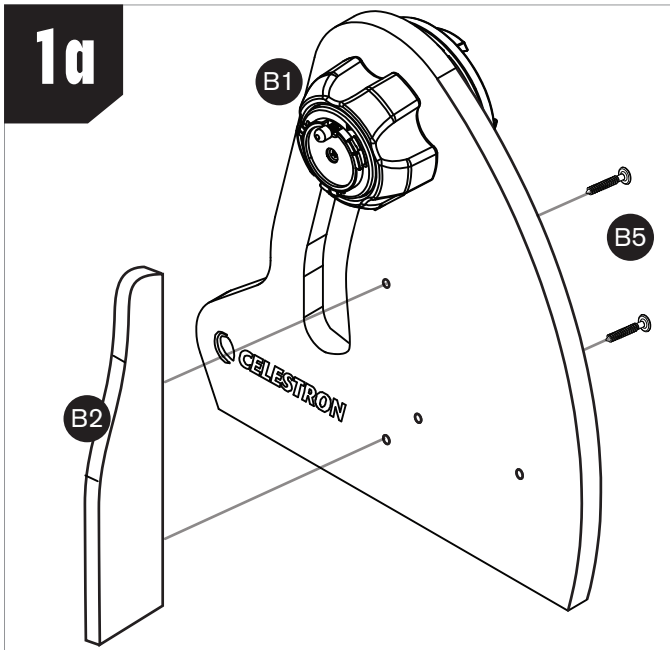


Hex keys
114mm (x2)
130mm (x3)
150mm (x3)



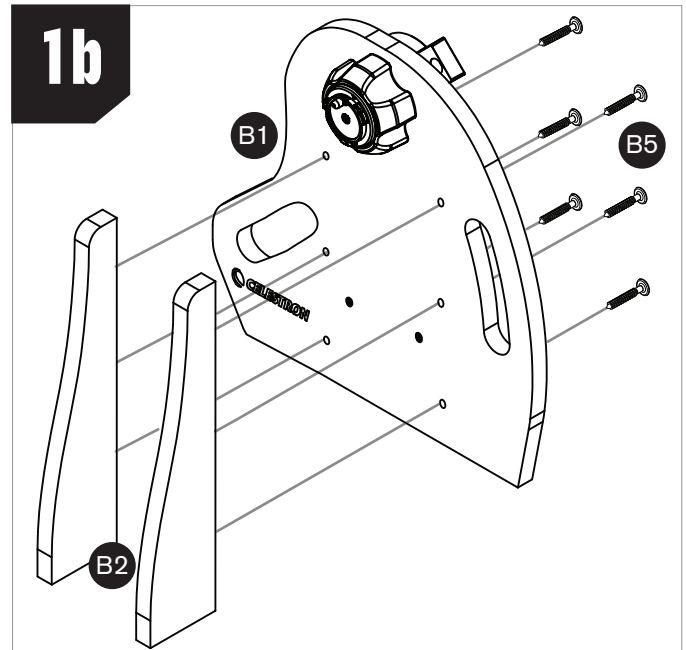
Crescent wrench

Assembly



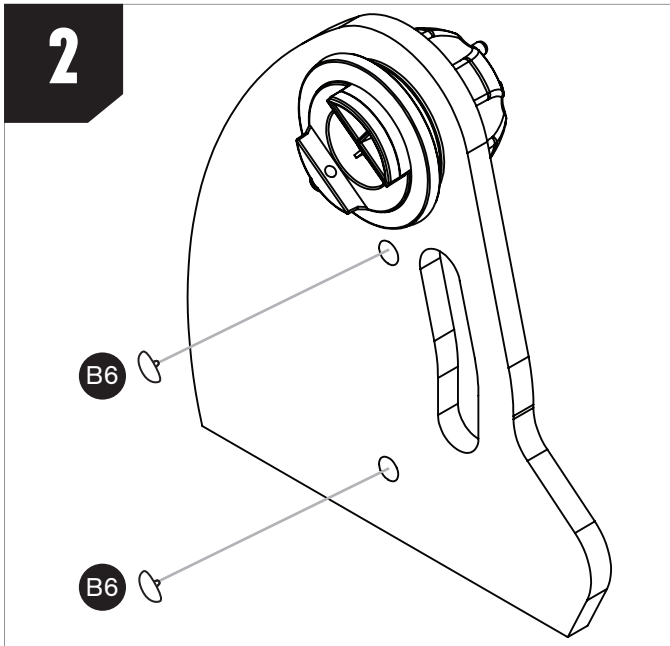
For the 114mm and 130mm models:

1. Connect the side support (B2) to the side panel (B1) with the base assembly screws (B5). The supports go on the on the same side of the panels as the Celestron logo.

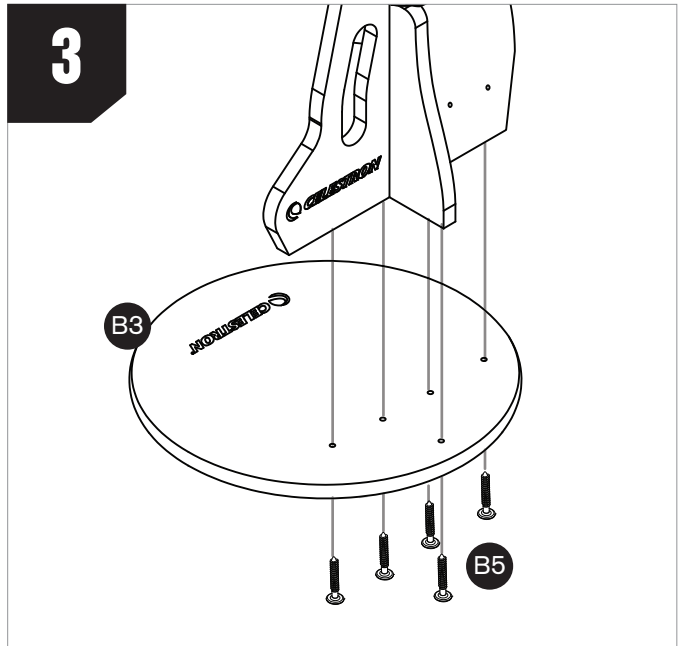


For the 150mm model:

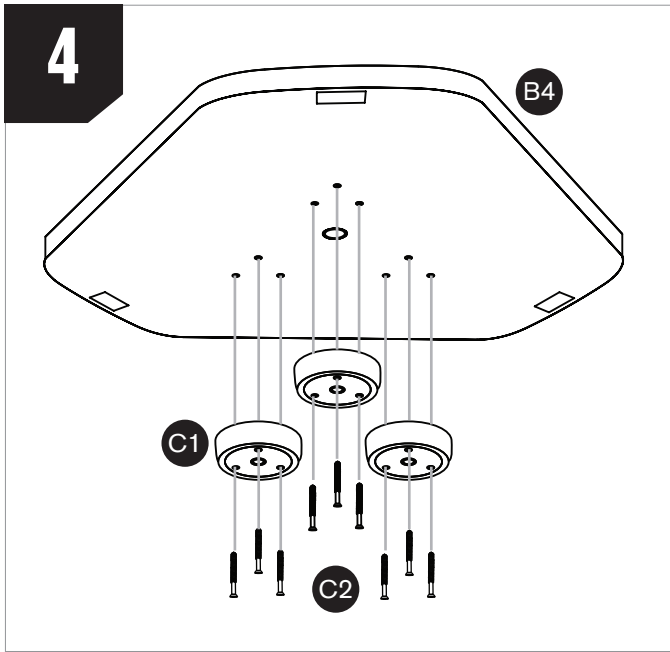
- 1a. Connect the 2 side supports (B2) to the side panel (B1) with the base assembly screws (B5). The supports go on the on the same side of the panels as the Celestron logo.



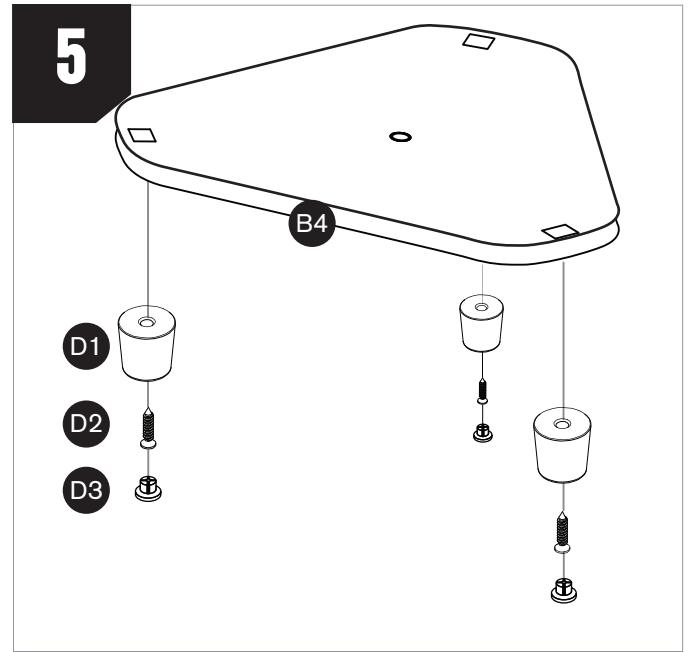
2. If desired, you can install the cosmetic screw covers (B6) on the screws installed in Step 1. Press the covers firmly onto the screw heads. For the 114mm and 130mm models there will be 2 screw covers to install, for the 150mm model there will be 6 screw covers to install.



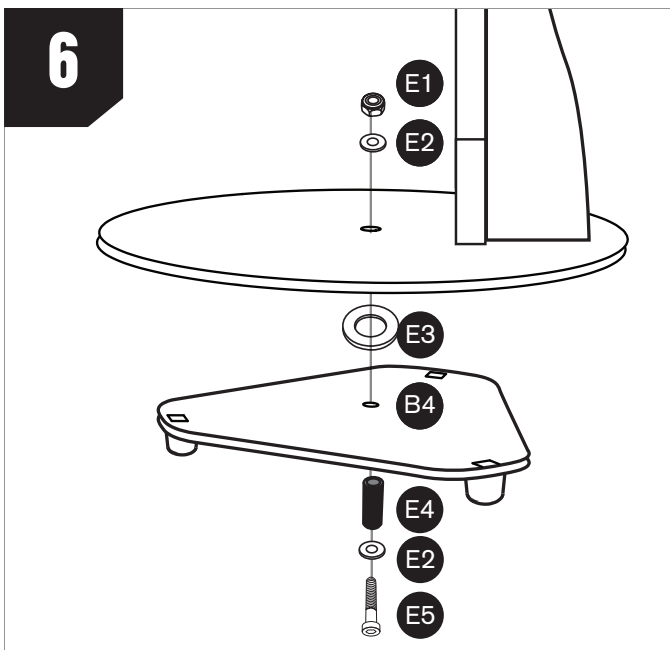
3. Connect the assembly to the top plate (B3) using the base assembly screws (B5). Orient the top plate so the side with the logo faces upward. For the 114mm model there will be 4 screws to install, for the 130mm and 150mm models there will be 5 screws to install.



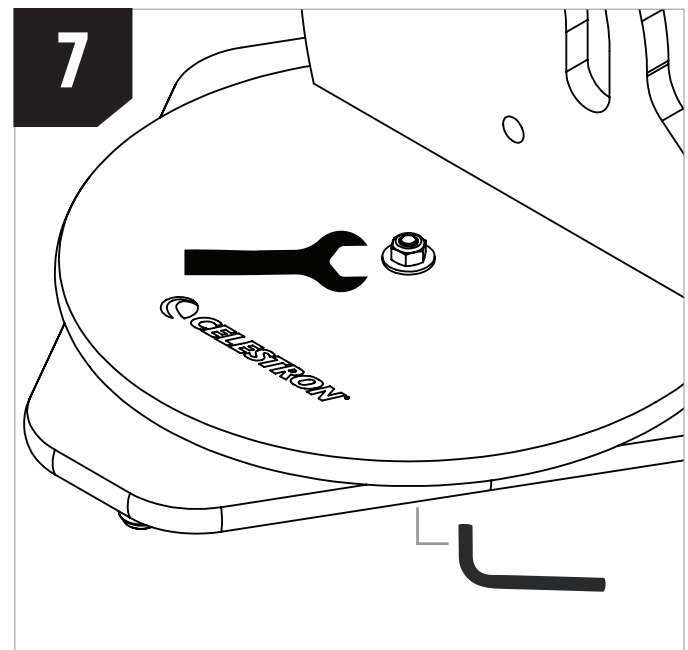
4. Attach the 3 tripod adapter discs (C1) to the bottom plate (B4) using the tripod adapter screws (C2). Thread the screws firmly into the predrilled pilot holes but do not overtighten or you may strip the wood.



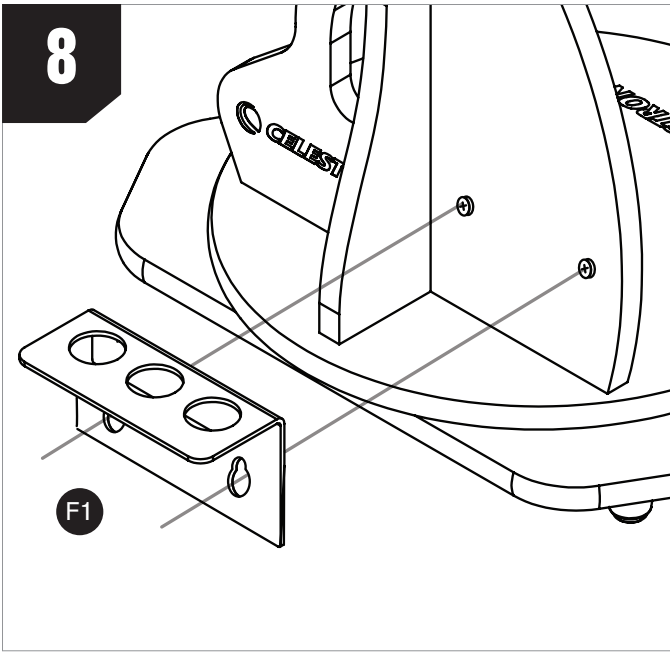
5. Attach the 3 feet (D1) to the bottom plate (B4) using the feet screws (D2). Thread the screws firmly into the predrilled pilot holes. Once installed, press the feet screw covers (D3) onto the ends of the feet.



6. Connect the assembly to the bottom plate (B4). Place one of the steel washers (E2) and the plastic cylinder (E4) onto the bolt (E5). Then, insert the bolt through the central hole in the bottom plate. Next, place the Teflon washer (E3) over the plastic cylinder (E4) now protruding from the bottom plate. Take the assembled base and lower it onto the bottom plate so that the plastic cylinder goes through the central hole in the top plate. Now, place the remaining steel washer (E2) on the end of the bolt protruding from the top plate. Thread the nut (E1) onto the bolt. Go to Step 7 for instructions to tighten the bolt.

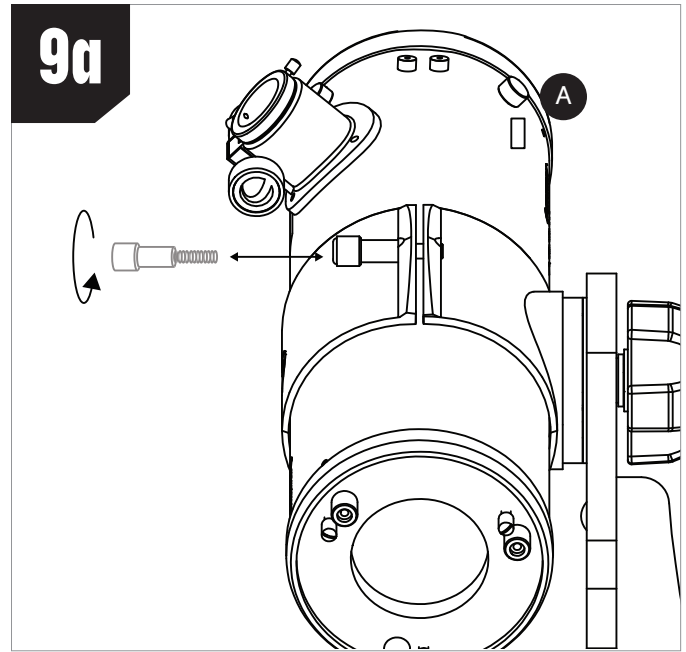


7. Use the crescent wrench and large hex key to tighten the nut onto the bolt. Hold the head of the bolt stationary with the hex key while using the crescent wrench to tighten the nut. **DO NOT OVERTIGHTEN THE NUT!** With some force, you should still be able to move the steel washer underneath the nut with your fingers. If the washer cannot be moved with your fingers, slightly loosen the nut.



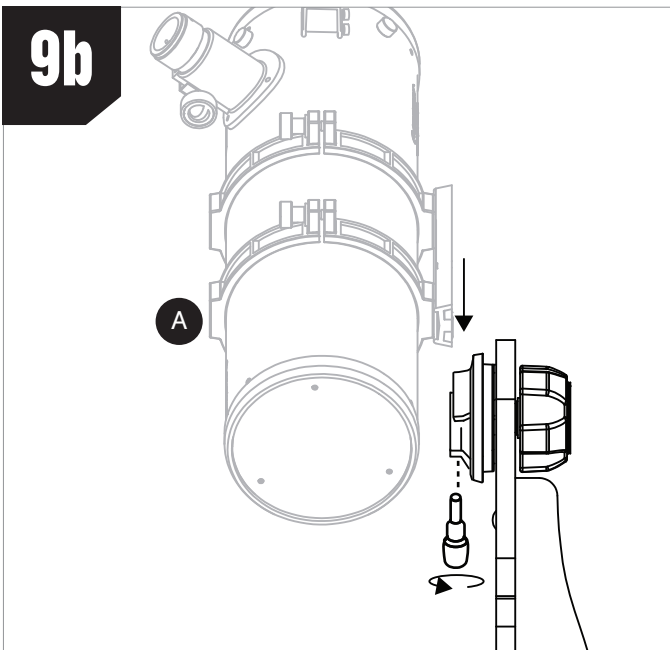
8. Install the eyepiece rack (**F1**) by placing the keyholes in the rack over the mounting screws pre-installed in the side panel, then push the rack downwards.

NOTE: If you want to remove the rack for storage or transport, simply pull it upward.



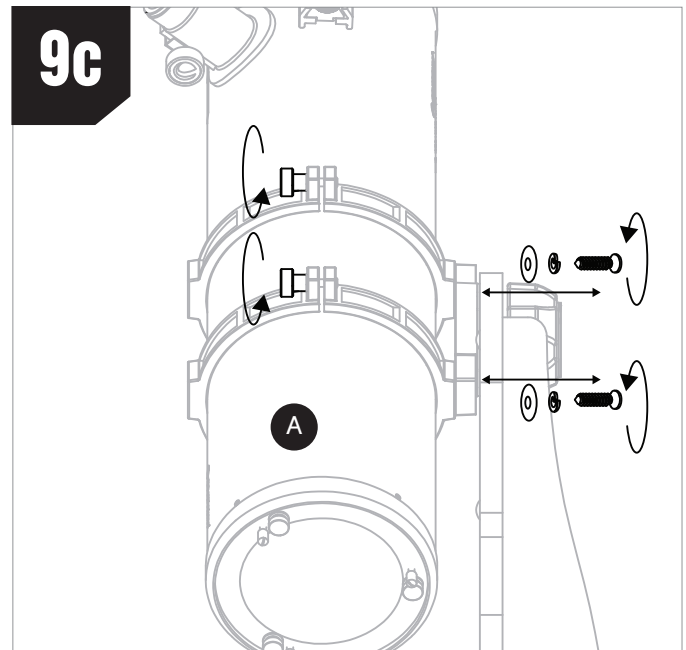
For the 114mm model:

9a. Connect the optical tube assembly (**A**) to the assembled base. Fully unthread the clamping knob on the cradle and open the cradle. Place the optical tube in the cradle as shown, close the cradle, and retighten the clamping knob until secure.



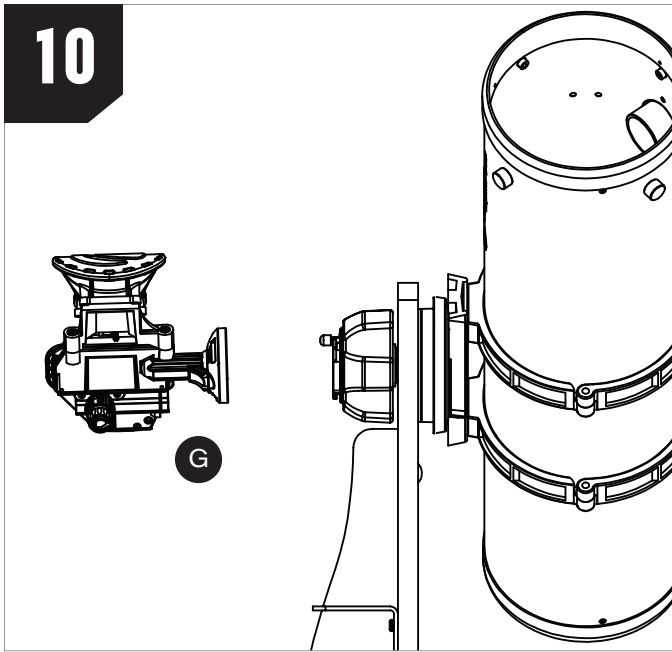
For the 130mm model:

9b. Loosen the knob on the dovetail holder on the side panel. Then, insert the dovetail connected to the optical tube with the tube rings, and retighten the knob until the dovetail is secure in the holder.

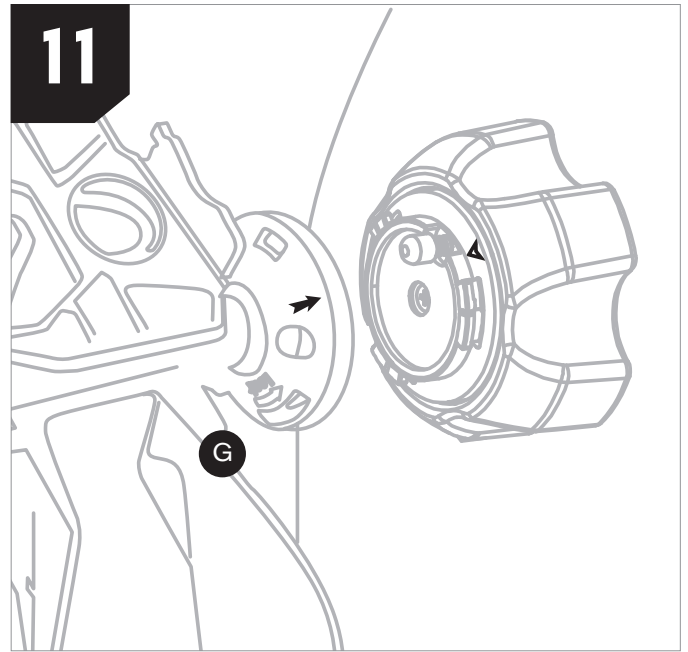


For the 150mm model:

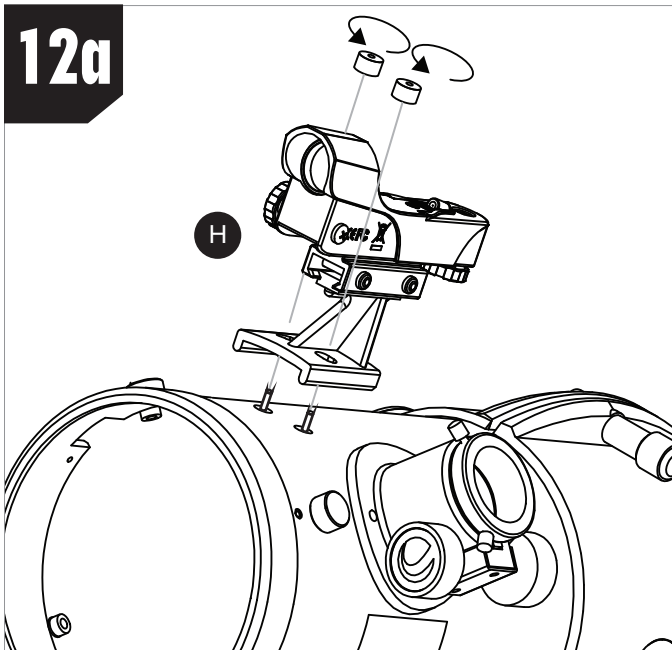
9c. Connect the optical tube assembly (**A**) to the assembled base. You'll need to connect the tube rings to the tube ring mounting plate on the base. Use the screws and lock washers already installed in the rings to do this. It will be easiest to first remove the rings from the optical tube to assemble them onto the mounting plate. Fully unthread the tube ring knobs and open the rings to remove the tube.



10. Install the StarSense dock (G). Insert the bayonet mount on the side of the dock into the port on the side panel of the base.

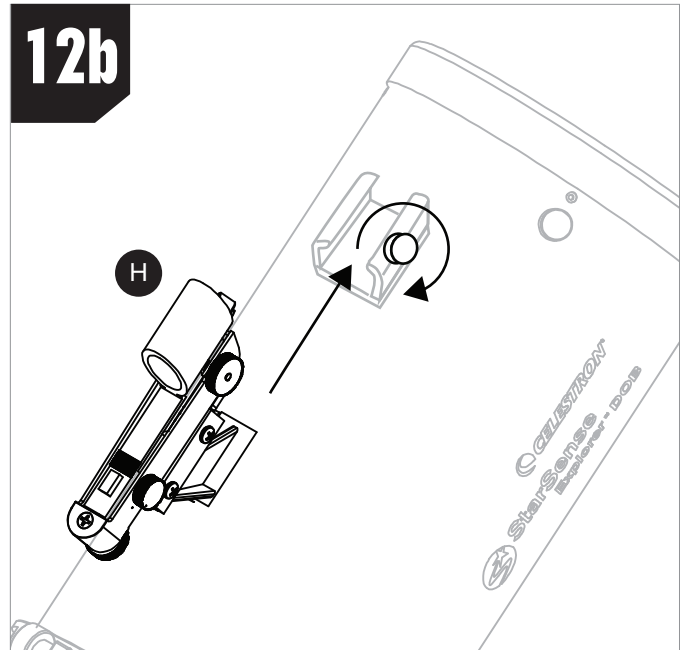


11. Line up the arrow on the dock with the alignment mark on the base and press inward while turning the dock counterclockwise until the orange release button snaps into place in the hole on the dock. To remove the dock, press the orange release button and turn the dock clockwise until the bayonet mount releases.



For the 114mm model:

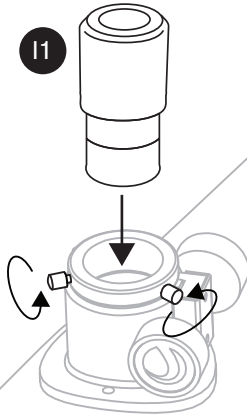
12a. Install the StarPointer red dot finderscope (H) onto the optical tube assembly. First, unthread and remove the two thumbnuts from the threaded posts adjacent to the focuser. Place the StarPointer on the tube so the threaded posts go through the holes in the StarPointer's base, then rethread the thumbnuts onto the posts to secure the StarPointer.



For the 130mm and 150mm models:

12b. Install the StarPointer red dot finderscope (H) onto the optical tube assembly. First, loosen the thumbscrew on the finderscope holder. Insert the base of the StarPointer into the holder and tighten the thumbscrew.

13



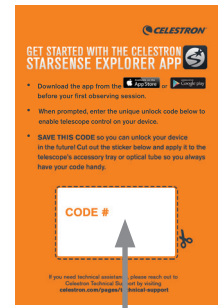
13. Loosen the thumbscrews on the end of the focuser, remove the focuser's cover cap, and insert the 25mm (or 17mm) eyepiece. Retighten the thumbscrews on the focuser to secure the eyepiece in place.

Downloading and Activating the App



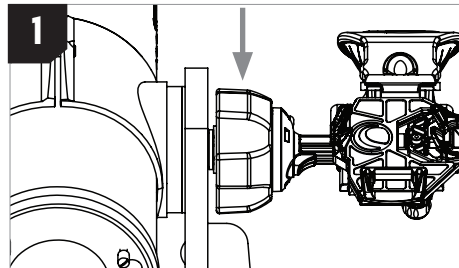
Before you take your telescope outside, download the StarSense Explorer app to your mobile device. Search for "Celestron StarSense Explorer" in the Apple App Store or Google Play. The app is large, so we recommend downloading it while connected to Wi-Fi.

Once you have downloaded the app, locate the orange postcard in your telescope box. Launch the app. When prompted, enter the activation code on the postcard to activate the app. Your code will unlock up to 5 devices.

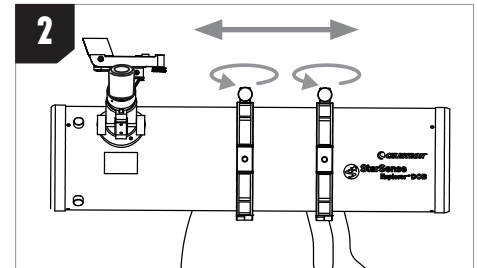


Balancing the Telescope

For best altitude (up-and-down) motions, the telescope optical tube should be roughly balanced on the base.



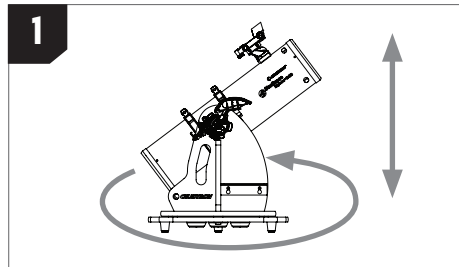
1. To check balance, loosen the altitude tensing knob so the altitude axis moves freely. Note if the telescope wants to tilt forward (front-heavy) or back (back-heavy).



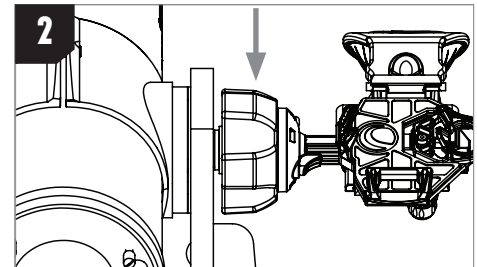
2. Loosen the tube ring knobs (130mm and 150mm models) or tube clamp knob (114mm) and slide the telescope forward or back in the rings/clamp so it is balanced. Retighten the knob(s) when done.

Moving the Telescope

The StarSense Explorer Tabletop Dobsonian telescope moves freely in altitude (up-and-down) and azimuth (left-to-right).

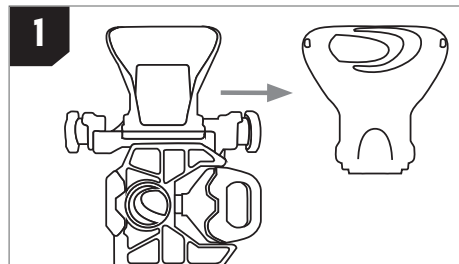


1. Simply move the tube by pushing it in the desired direction. For the 150mm model, you can use the knob handle at the front of the telescope for a hand grip.

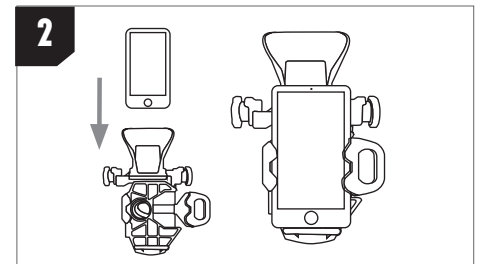


2. If the altitude motion moves too freely, or the telescope moves up or down with no force being applied, tighten the altitude tensing knob. Conversely, if it takes much force to move the telescope upwards or downwards, loosen the knob.

Attaching the Smartphone



1. Remove the large cap covering the mirror on the front of the StarSense dock.



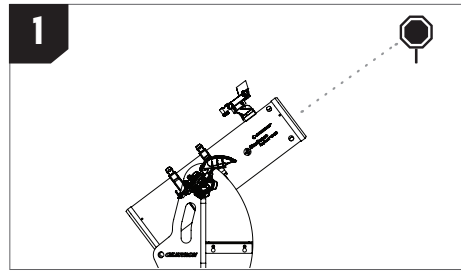
2. Pull open the spring-loaded slider on the top of the phone dock and set the phone into the holder so it is flush with the bottom lip of the phone holder. Slowly release the slider to secure the phone in place.

Aligning the StarPointer

The StarPointer red dot finderscope is one of the most important parts of your telescope. Although the StarSense Explorer app will locate and center objects for you, having the StarPointer properly aligned will help you align the app to the telescope. The first time you assemble your telescope, you need to align the finder to the telescope's main optics. It's best to do this during the day.*

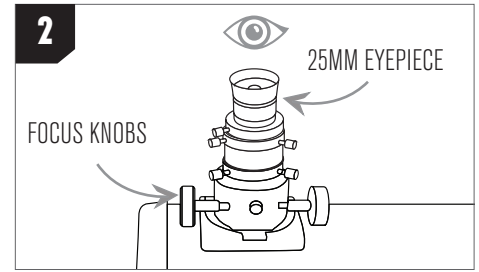


***SOLAR WARNING!** Never attempt to view the Sun through any telescope without a proper solar filter!



1. CHOOSE A TARGET

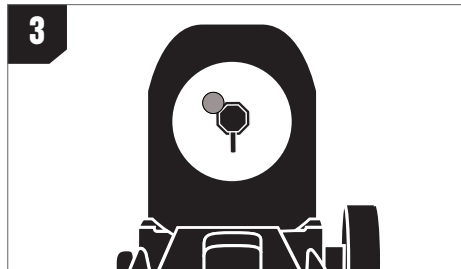
Take the telescope outside during the day and find an easily recognizable object, such as a streetlight, car license plate or sign. The object should be as far away as possible, but at least a quarter mile away.



2. CENTER THE TARGET IN THE EYEPIECE

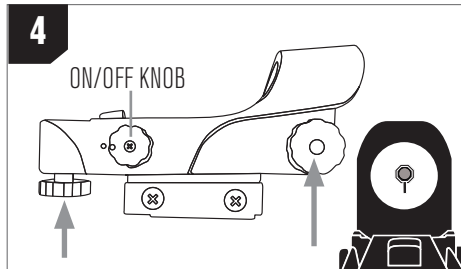
Look through the telescope using the 25mm (17mm for the 114 model) eyepiece. Move the telescope until the object you chose lies in the center of the view. If the image is blurry, gently turn the focus knobs until it comes into sharp focus.

NOTE: The image in your telescope may appear inverted. This is perfectly normal in an astronomical telescope.



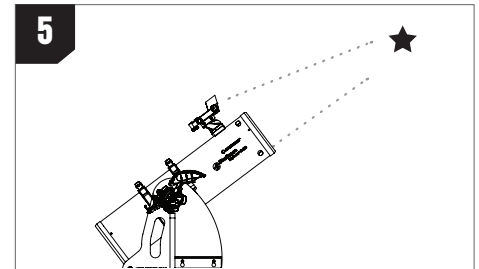
3. LOOK THROUGH FINDERSCOPE

Pull the battery protection tab out of the StarPointer and turn it on to maximum brightness using the on/ off knob. Look through the StarPointer and locate the red dot.



4. ADJUST THE FINDERSCOPE

Without moving the telescope, use the two adjustment knobs to move the red dot until it appears over the same object you are observing in the telescope's low-power eyepiece.



5. YOUR FINDERSCOPE IS NOW ALIGNED!

It should not require realignment unless it is bumped or dropped. Now, when you look through the StarPointer, the red dot will indicate where the telescope is pointing. Don't forget to turn off the red dot when you are finished to conserve battery.

Your First Night Out

Congratulations! Your telescope is now set up and you are ready to explore the cosmos. Take the telescope outside, insert your 25mm eyepiece (17mm for the 114 model), remove the lens cap, insert your smartphone into the holder, and launch the StarSense Explorer app. The tutorial in the app will walk you through the steps to find your first astronomical target.

For more information on this product, please visit the respective product page on [celestron.com/ssetelesopes](https://www.celestron.com/ssetelesopes)



Celestron Tools for Astronomers

 	<p>BATTERY WARNING</p> <ul style="list-style-type: none"> • INGESTION HAZARD: This product contains a button cell or coin battery. • DEATH or serious injury can occur if ingested. • A swallowed button cell or coin battery can cause Internal Chemical Burns in as little as 2 hours. • Keep new and used batteries OUT OF REACH OF CHILDREN • SEEK MEDICAL ATTENTION if battery is suspected to be swallowed or inserted inside any part of the body. 	
------	--	--

FCC NOTICE: This device complies with Part 15 of the FCC Rules. Operation is subject to the following two conditions: (1) This device may not cause harmful interference, and (2) this device must accept any interference received, including interference that may cause undesired operation.

SAFETY INSTRUCTIONS

- There is a risk of explosion if the battery is replaced with an incorrect type.
- The included battery is not rechargeable.
- Only use the battery as originally intended to avoid a short circuit. Connecting the conductive material directly to the battery's positive and negative sides will cause a short circuit.
- Do not use a damaged battery.
- Do not store the battery in an extremely cold or hot environment. Doing so can reduce battery life.
- When replacing the battery, refer to the instruction manual and ensure the positive and negative sides are oriented correctly.
- Do not put the battery in fire.
- Dispose of the battery according to local regulations.

For more information on this product, please visit the respective product page on [celestron.com](https://www.celestron.com)



SOLAR WARNING:

Never attempt to view the Sun through any telescope without a proper solar filter.



[celestron.com/pages/warranty](https://www.celestron.com/pages/warranty)



NEED ASSISTANCE? Contact Celestron Technical Support
[celestron.com/pages/technical-support](https://www.celestron.com/pages/technical-support)

Product design and specifications are subject to change without prior notification. This product is designed and intended for use by those 14 years of age and older



©2023 Celestron. Celestron and Symbol are trademarks of Celestron, LLC. All rights reserved. Celestron.com • 2835 Columbia Street, Torrance, CA 90503 USA

Made in China | 06-23



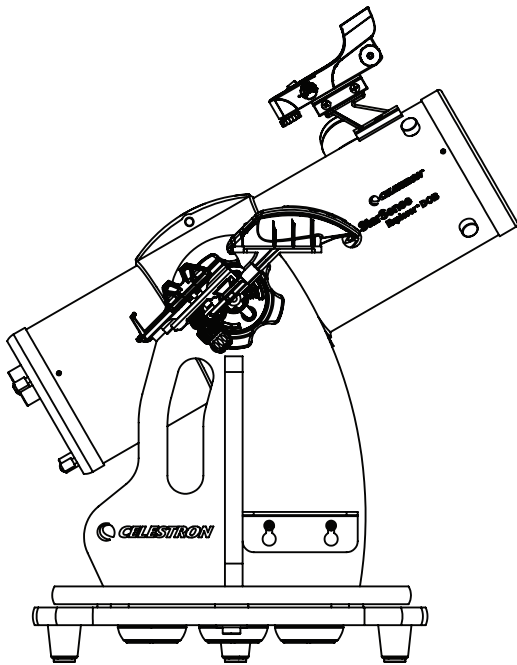
StarSense Explorer™ DOB

Guide de configuration rapide

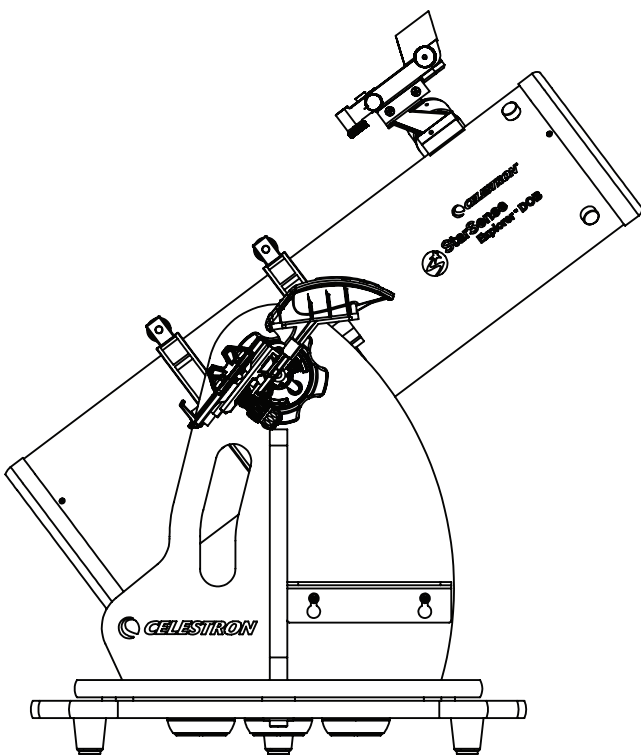
#22480 STARSSENSE EXPLORER 114MM DOBSONIAN DE TABLE

#22481 STARSSENSE EXPLORER 130MM DOBSONIAN DE TABLE

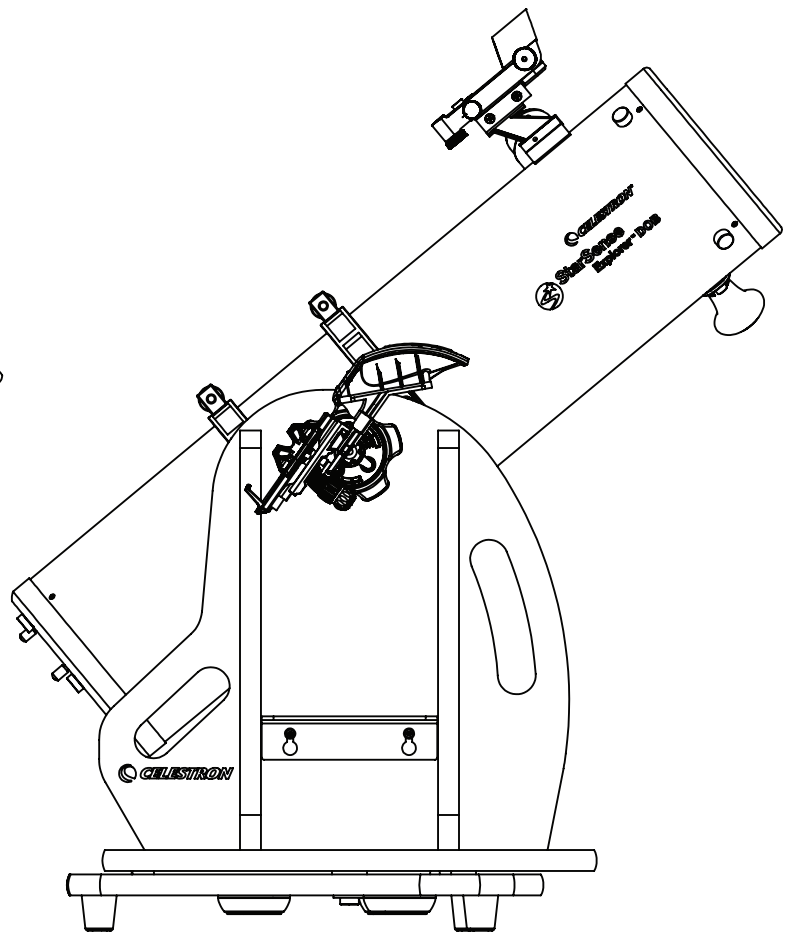
#22482 STARSSENSE EXPLORER 150MM DOBSONIAN DE TABLE



114mm



130mm



150mm

Contenu de la boîte

114mm

A Tube optique assemblé avec cache anti-poussière

B1 Assemblage du panneau latéral

130mm

A Tube optique assemblé avec cache anti-poussière

B1 Assemblage du panneau latéral

150mm

A Tube optique assemblé avec cache anti-poussière

B1 Assemblage du panneau latéral

B2 Supports latéraux
114mm (x1)
130mm (x1)
150mm (x2)

B3 Plaque supérieure

B4 Plaque inférieure

B5 Vis d'assemblage de la base
114mm (x6)
130mm (x7)
150mm (x11)

B6 Vis d'assemblage du cache de la base
114mm (x2)
130mm (x2)
150mm (x6)

ADAPTATEUR DE TRÉPIED

C1 Adaptateur de trépied disques (x3)

C2 Adaptateur de trépied vis (x9)

ASSEMBLAGE DES PIEDS

D1 Pieds (x3)

D2 Pieds vis (x3)

D3 Vis des pieds Caches (x3)

COMPOSANTS DE L'AXE DU PIVOT D'AZIMUT

E1 Écrou

E2 Rondelles d'acier (x2)

E3 Rondelle de téflon

E4 Cylindre de plastique creux

E5 Boulon

COMPOSANTS DU PORTE-OCULAIRE

F1 Support de l'oculaire 114mm

F1 Support de l'oculaire 130mm 150mm

G Dock StarSense Explorer

H StarPointer chercheur à point rouge

I1 Oculaire de 17 mm (114mm)
Oculaire de 25 mm (130mm & 150mm)

I2 10mm Oculaire

J Cache de collimation*

*Pour effectuer la collimation des optiques de votre télescope, consultez le mode d'emploi manuel à l'adresse celestron.com.

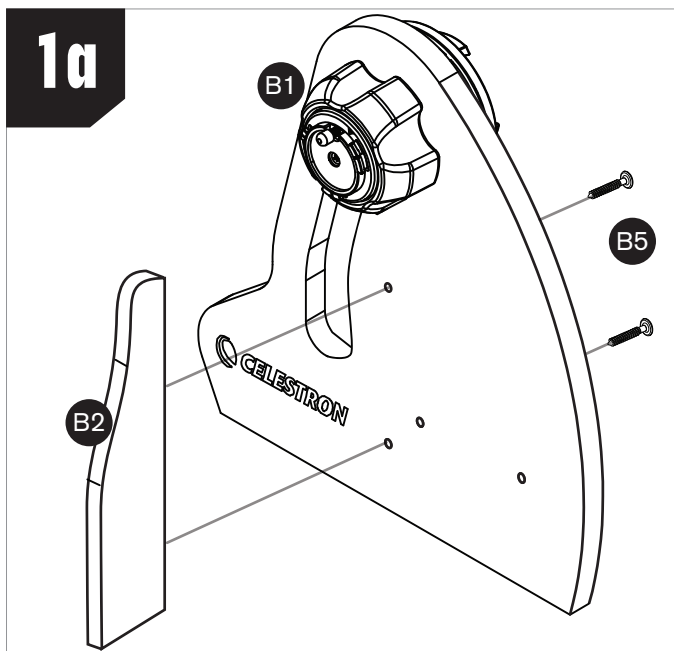
OUTILS INCLUS

Tournevis

Clés hexagonales 114mm (x2)
130mm (x3)
150mm (x3)

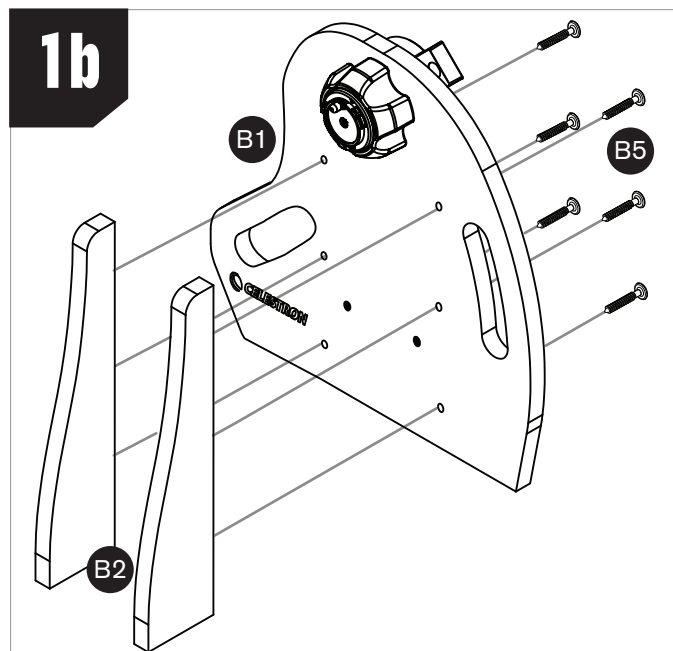
Clé à molette

Assemblage



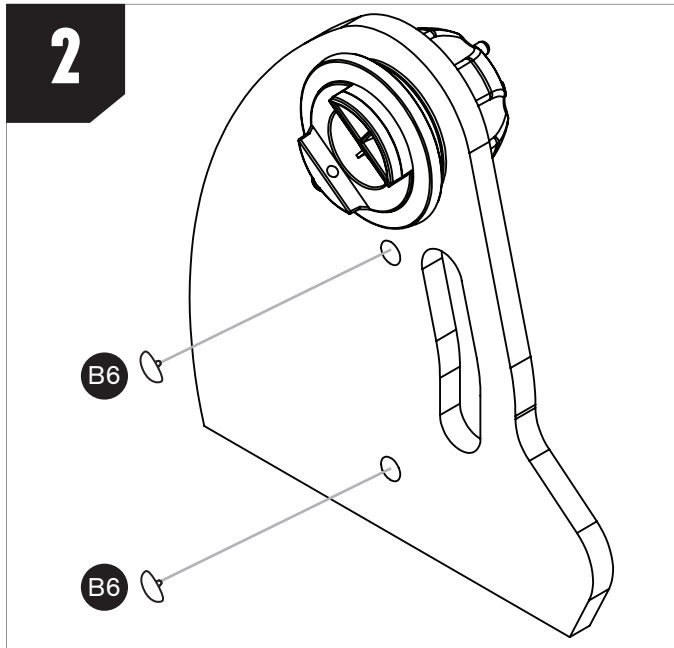
Pour les modèles de 114mm et de 130mm:

1. Connectez le support latéral (B2) au panneau latéral (B1) avec les vis de l'assemblage de la base (B5). Les supports s'installent du même côté des panneaux que le logo Celestron.

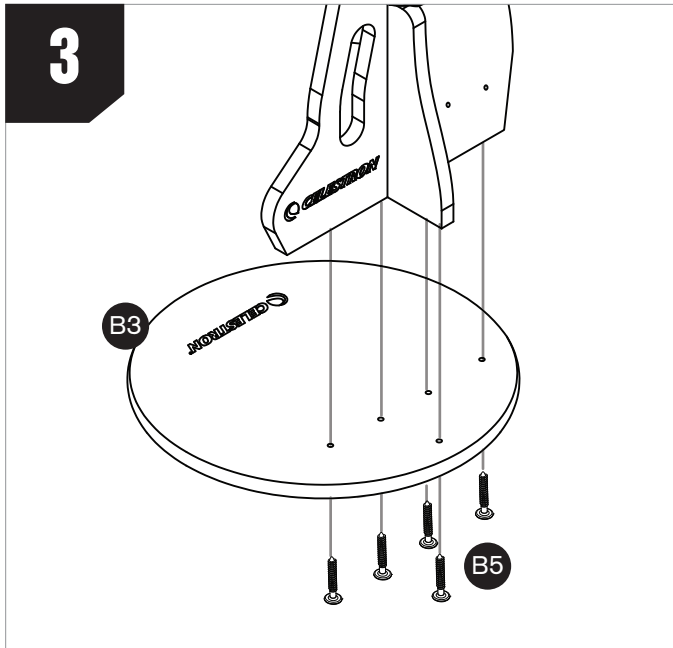


Pour le modèle de 150mm:

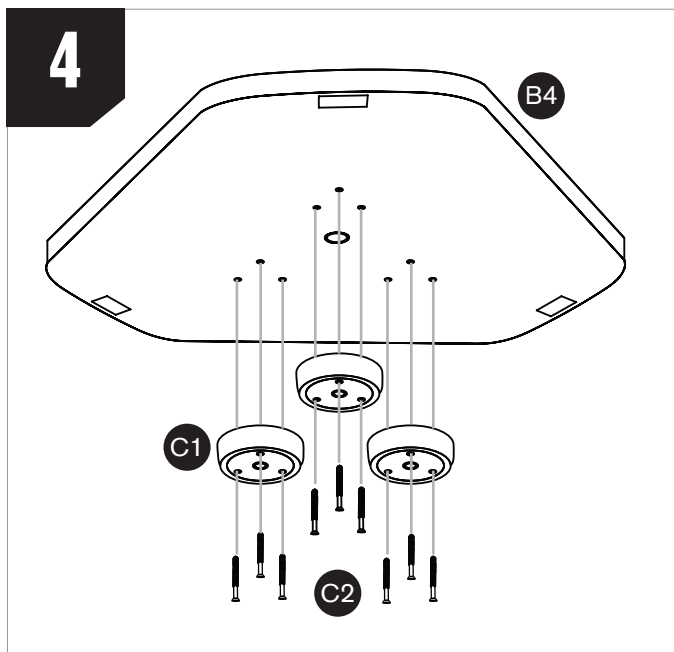
- 1a. Connectez les 2 supports latéraux (B2) au panneau latéral (B1) avec les vis de l'assemblage de la base (B5). Les supports s'installent du même côté des panneaux que le logo Celestron.



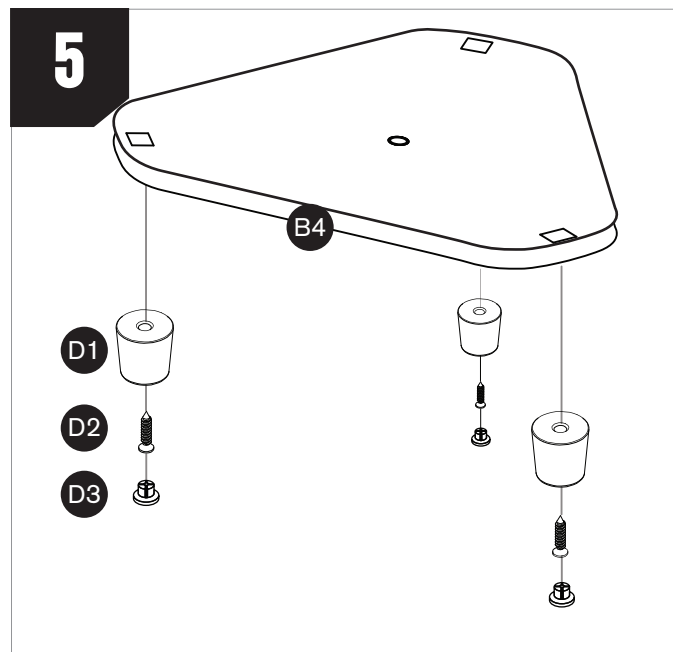
2. Si nécessaire, vous pouvez installer les caches de vis décoratifs (B6) sur les vis installées à l'étape 1. Enclenchez les caches fermement sur les têtes de vis. Pour les modèles de 114mm et de 130mm, vous trouverez 2 caches de vis à installer, pour le modèle de 150mm, vous trouverez 6 caches de vis à installer.



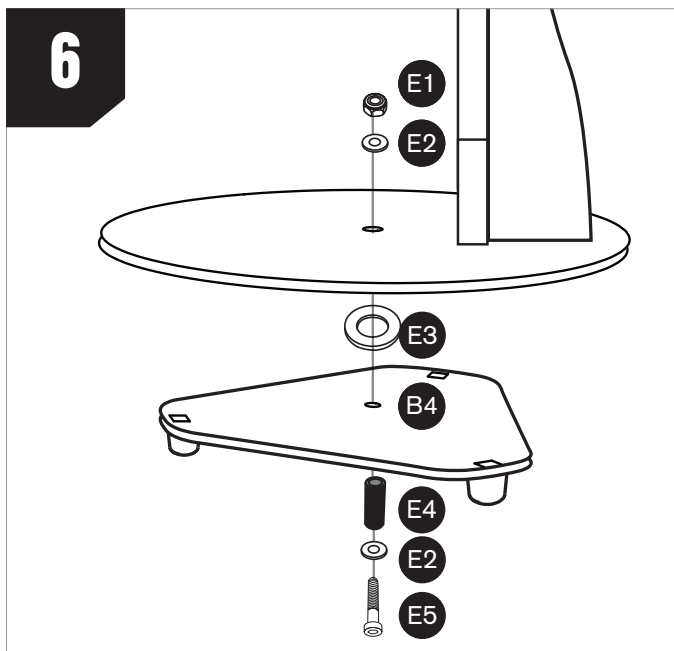
3. Connectez l'assemblage sur la plaque supérieure (B3) avec les vis d'assemblage de la base (B5). Orientez la plaque supérieure de manière que le logo soit orienté vers le haut. Pour le modèle de 114mm, vous trouverez 4 vis à installer, pour les modèles de 130 mm et de 150mm, vous trouverez 5 vis à installer.



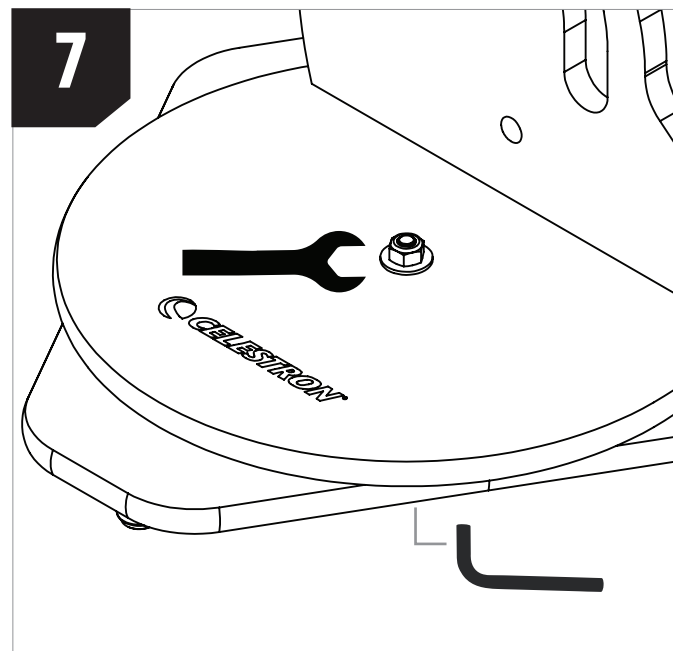
4. Attachez les 3 disques d'installation de trépied (C1) à la plaque inférieure (B4) avec les vis d'adaptateur de trépied (C2). Vissez fermement les vis dans les trou-guides pré-perçés, mais ne serrez pas excessivement, car vous pourriez endommager le bois.



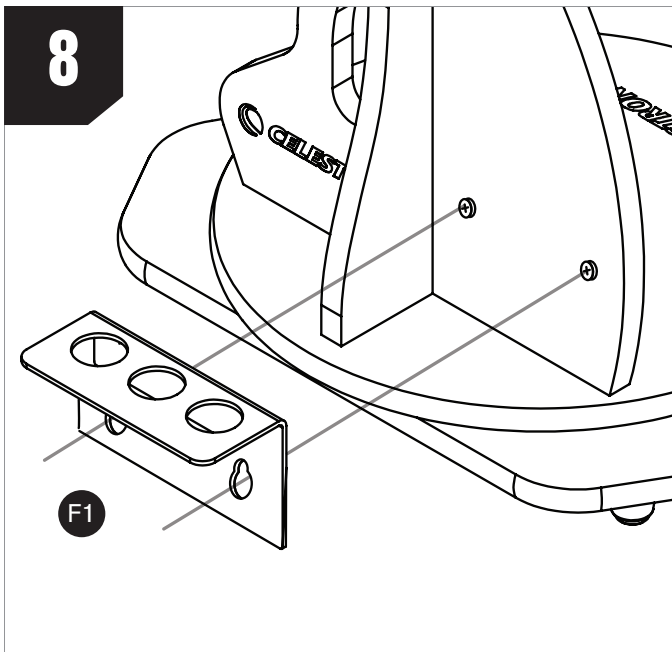
5. Attachez les 3 pieds (D1) à la plaque inférieure (B4) à l'aide des vis des pieds (D2). Vissez fermement les vis dans les trou-guides pré-perçés. Une fois installés, enfoncez les cache-vis des pieds (D3) sur les extrémités des pieds.



6. Connectez l'ensemble à la plaque inférieure (B4). Placez une des rondelles en acier (E2) et le cylindre en plastique (E4) sur le boulon (E5). Ensuite, insérez le boulon dans le trou central de la plaque inférieure. Puis, placez la rondelle en Téflon (E3) sur le cylindre en plastique (E4) qui dépasse maintenant de la plaque inférieure. Abaissez la plaque assemblée sur la plaque inférieure de sorte que le cylindre en plastique passe par le trou central de la plaque supérieure. Placez ensuite la rondelle en acier restante (E2) sur l'extrémité du boulon dépassant de la plaque supérieure. Vissez l'écrou (E1) sur le boulon. Passez à l'étape 7 pour trouver des instructions sur comment serrer le boulon.

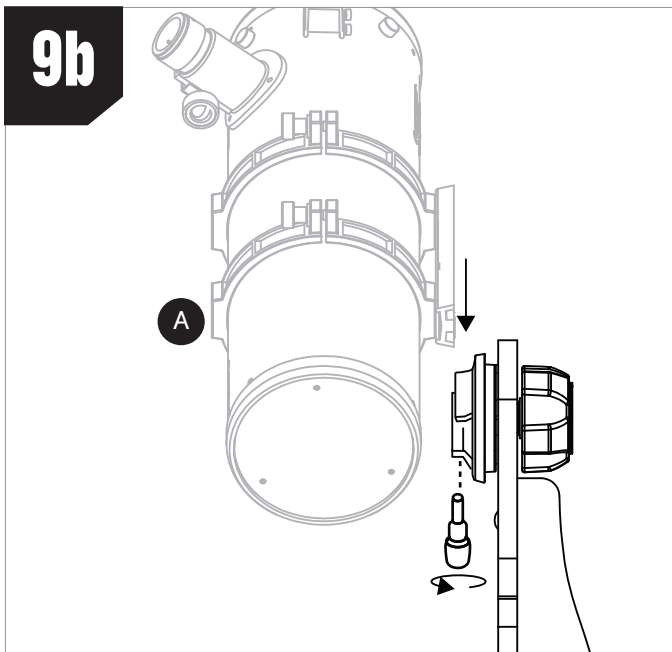


7. Utilisez la clé à molette et la clé hexagonale de grande taille pour serrer l'écrou sur le boulon. Maintenez la tête du boulon immobile avec la clé hexagonale en utilisant la clé à molette pour serrer l'écrou. **NE PAS SERRER EXCESSIVEMENT L'ÉCROU!** En appliquant suffisamment de force, vous devriez toujours pouvoir déplacer la rondelle en acier sous l'écrou avec vos doigts. Si la rondelle ne peut pas être déplacée des doigts, desserrez légèrement l'écrou.



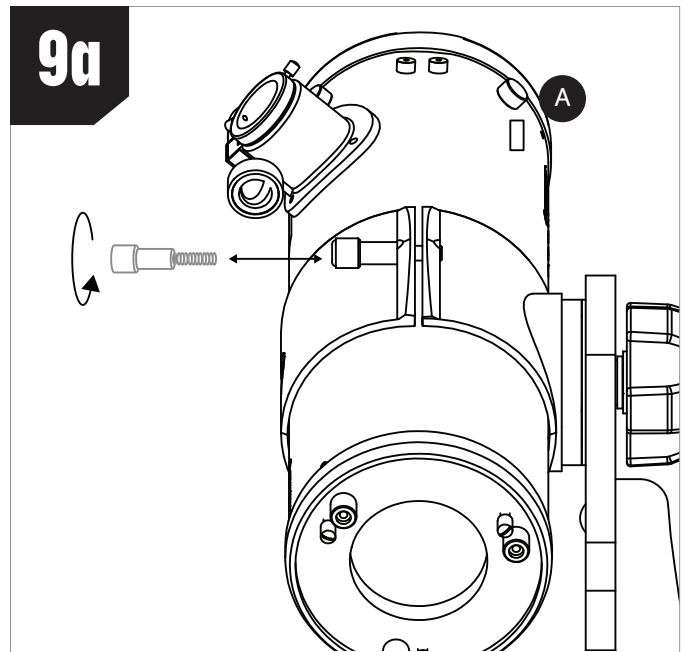
8. Installez le porte-oculaire (F1) en positionnant les trous de guidage sur le porte-oculaire sur les vis de montage préinstallées sur le panneau latéral, puis poussez-le vers le bas.

REMARQUE: Si vous souhaitez retirer le support pour le rangement ou le transport, tirez-le simplement vers le haut.



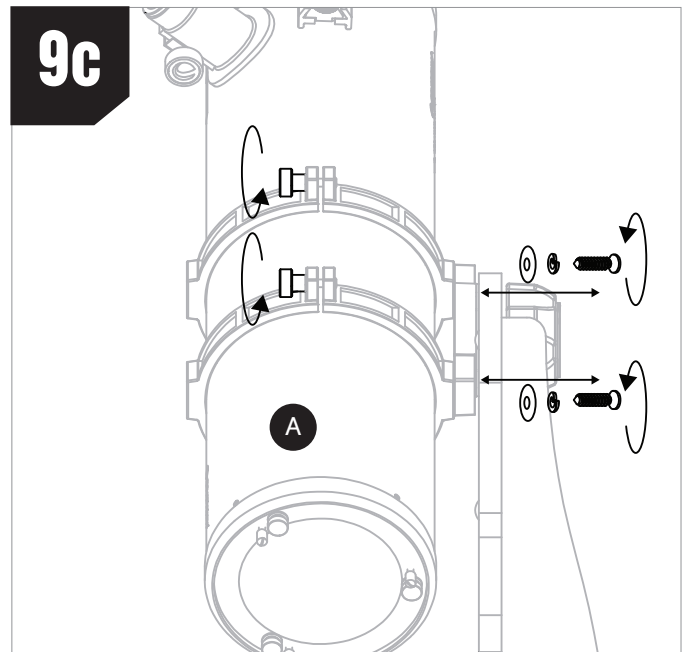
Pour le modèle de 130mm:

9b. Desserrez la molette sur le support en queue d'aronde sur le panneau latéral. Ensuite, insérez la queue d'aronde fixée au tube optique avec les anneaux de tube, et resserrez la molette jusqu'à ce que la queue d'aronde soit bien fixée au support.



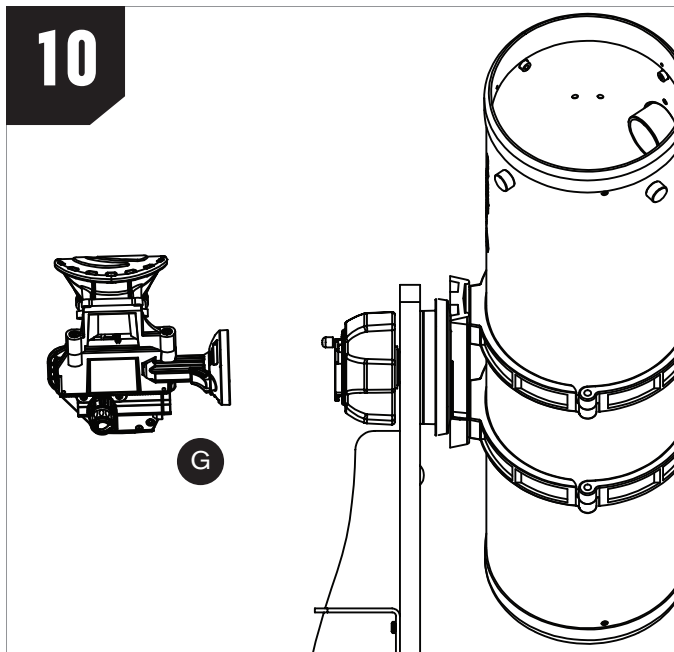
Pour le modèle de 114mm:

9a. Connectez l'assemblage de tube optique (A) à la base assemblée. Dévissez complètement la molette de maintien sur la nacelle et ouvrez-la. Placez le tube optique sur la nacelle comme illustré, fermez-la et resserrez la molette de maintien jusqu'à ce qu'elle soit fixée.

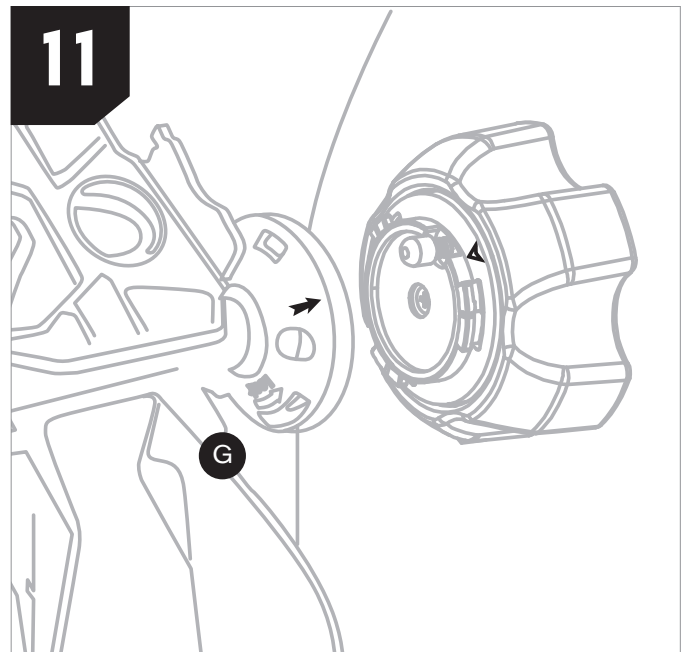


Pour le modèle de 150mm:

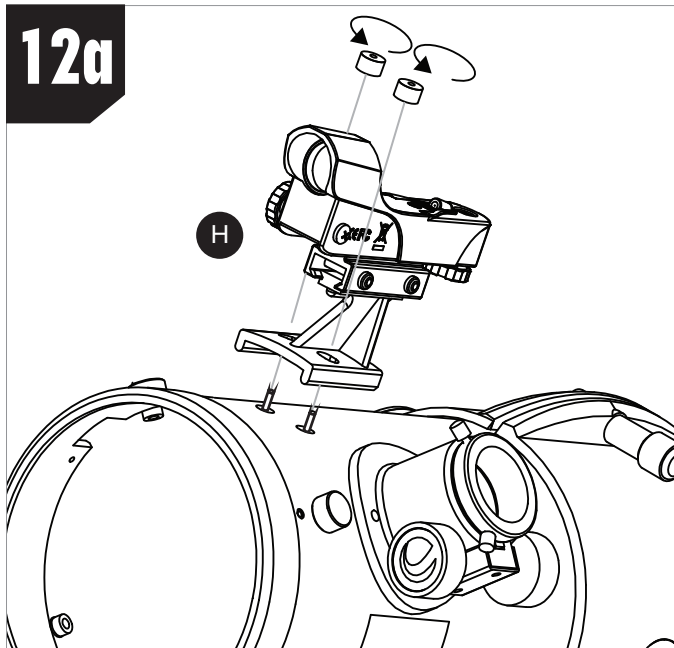
9c. Connectez l'assemblage de tube optique (A) à la base assemblée. Vous aurez besoin de connecter les anneaux de tube sur la plaque de montage des anneaux sur la base. Utilisez les vis et verrouillez les rondelles déjà présentes sur les anneaux pour faire cela. Il sera plus simple de d'abord retirer les anneaux du tube optique pour les assembler sur la plaque de montage. Dévissez complètement les molettes des anneaux de tube et ouvrez les anneaux pour retirer le tube.



10. Installer la base d'accueil StarSense (G). Insérez la monture à baïonnette sur le côté de la base d'accueil sur le port sur le panneau latéral de la base.

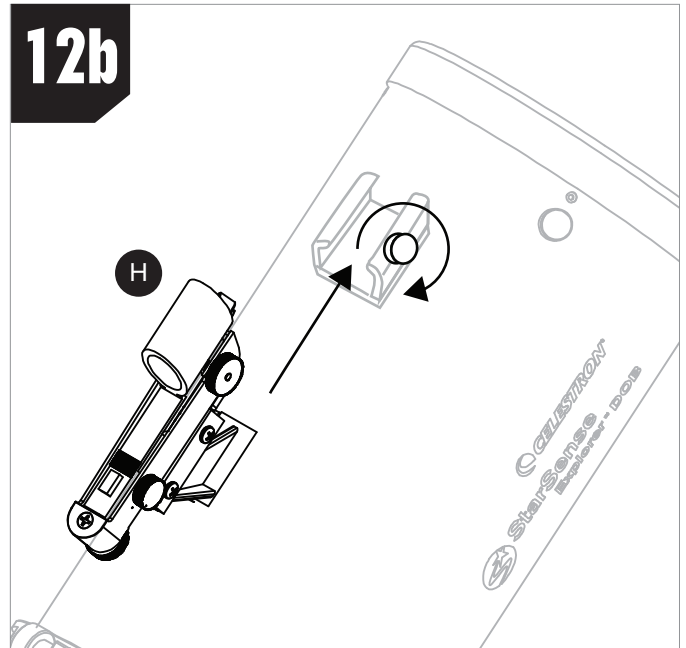


11. Alignez la flèche de la base d'accueil sur la marque d'alignement de cette dernière et pressez vers l'intérieur tout en faisant tourner la base dans le sens antihoraire jusqu'à ce que le bouton de libération orange s'enclenche dans le trou de la base d'accueil. Pour retirer le support, appuyez sur le bouton de libération orange et faites tourner le support dans le sens des aiguilles d'une montre jusqu'à ce que la monture à baïonnette se libère.



Pour le modèle de 114mm:

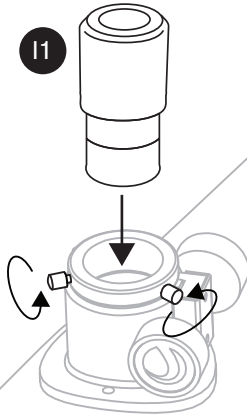
12a. Installez le chercheur à point rouge StarPointer (H) sur l'ensemble du tube optique. Commencez par dévisser et retirer les deux écrous à main des tiges filetées situées aux côtés du système de mise au point. Placez le StarPointer sur le tube de manière que les tiges filetées s'insèrent dans les trous de la base du StarPointer, puis revissez les écrous à main sur les tiges pour sécuriser le StarPointer.



Pour les modèles de 130mm et de 150mm:

12b. Installez le chercheur à point rouge StarPointer (H) sur l'ensemble du tube optique. Pour commencer, desserrez la vis moletée sur le support du chercheur. Insérez la base de StarPointer dans le support et serrez la vis de fixation.

13



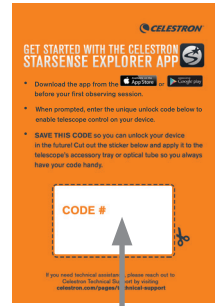
13. Desserrez les vis à main à l'extrémité du système de mise au point, retirez le cache du système de mise au point et insérez l'oculaire de 25mm (ou 17mm). Reserrez les vis à main sur le système de mise au point pour sécuriser l'oculaire en place.

Télécharger et activer l'application



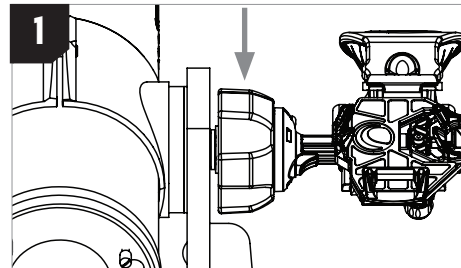
Avant de sortir avec votre télescope, téléchargez l'application StarSense Explorer par SkySafari sur votre appareil mobile. Recherchez « Celestron StarSense Explorer » dans l'App Store d'Apple ou sur Google Play. L'application est volumineuse, nous vous recommandons donc de la télécharger connectés au Wi-Fi.

Une fois que vous avez téléchargé l'application, munissez-vous de la carte orange qui se trouve dans la boîte de votre télescope. Lancez l'application. Lorsque vous y êtes invité, entrez le code d'activation sur la carte postale pour activer l'application. Votre code pourra débloquer jusqu'à 5 appareils.

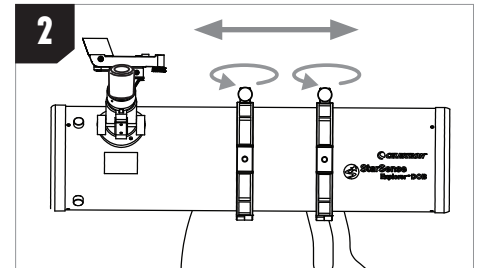


Équilibrer le télescope

Pour garantir le meilleur mouvement en altitude (de haut en bas), le tube optique du télescope doit être globalement équilibré sur la base.



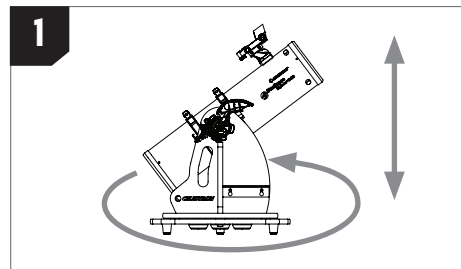
1. Pour vérifier l'équilibre, desserrez la molette de tension d'altitude de manière que l'axe bouge librement. Notez si le télescope a tendance à se pencher vers l'avant (déséquilibré par l'avant) ou vers l'arrière (déséquilibré par l'arrière).



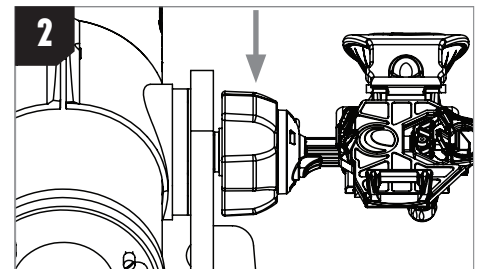
2. Desserrez les molettes des anneaux de tube (modèles de 130mm et 150mm), ou la molette de maintien du tube (114mm) et faites glisser le télescope vers l'avant ou l'arrière dans les anneaux/le maintien pour effectuer son équilibrage. Reserrez les molettes quand nécessaire.

Orienter le télescope

Le télescope Dobsonien de StarSense Explorer de table s'oriente librement en altitude (de haut en bas) et en azimut (de gauche à droite).

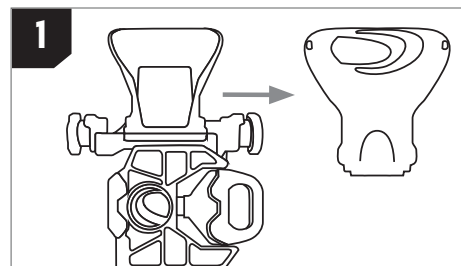


1. Déplacez simplement le tube en le poussant dans la direction souhaitée. Pour le modèle de 150 mm, vous pouvez utiliser la poignée à boule à l'avant du télescope pour une bonne tenue en main.

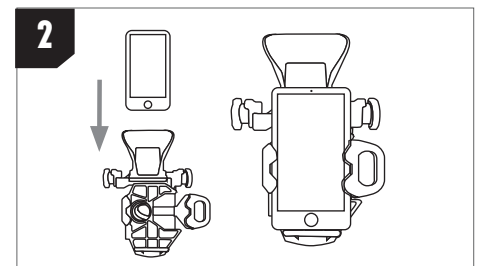


2. Si le mouvement d'altitude n'offre pas suffisamment de résistance, ou si le télescope se déplace vers le haut ou vers le bas sans le toucher, serrez le bouton de tension d'altitude. À l'inverse, s'il faut appliquer une grande force pour déplacer le télescope vers le haut ou vers le bas, desserrez le bouton.

Attacher le téléphone intelligent



1. Retirez le grand cache couvrant le miroir sur le devant de la base d'accueil StarSense.



2. Ouvrez la glissière à ressort située sur le dessus du support de téléphone et installez le téléphone pour qu'il soit à niveau sur le rebord du bas du support de téléphone. Relâchez la glissière en douceur pour maintenir le téléphone en place.

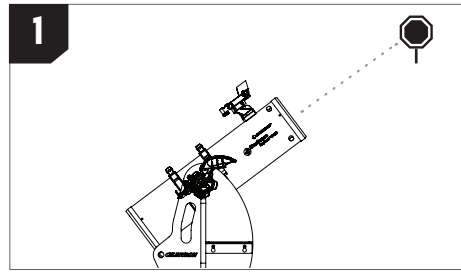
Aligner StarPointer

Le chercheur à point rouge StarPointer est l'un des composants les plus importants de votre télescope. Bien que l'application StarSense Explorer soit capable de localiser et de centrer les objets pour vous, aligner StarPointer correctement vous aidera à aligner le télescope. La première fois que vous assemblez votre télescope, vous devez aligner le chercheur avec le système optique principal du télescope. Il est plus facile d'effectuer cette opération pendant la journée*.



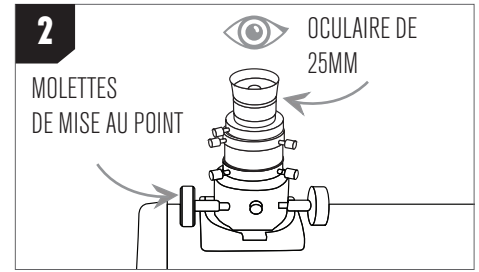
*AVERTISSEMENT SUR LE SOLEIL!

N'essayez jamais d'observer le soleil à l'aide d'un télescope sans utiliser un filtre solaire adéquat.



1. CHOISIR UNE CIBLE

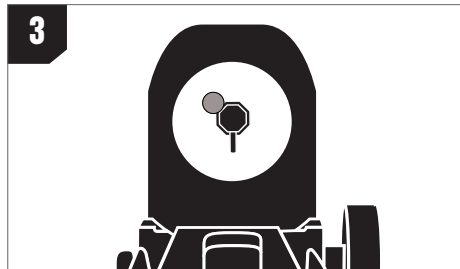
Installez le télescope à l'extérieur en journée, et repérez un objet aisément reconnaissable, comme un feu de signalisation, une plaque d'immatriculation ou un panneau. L'objet doit se situer aussi loin que possible, mais à au moins un quart de mile de vous.



2. CENTRER L'OCULAIRE DANS LA CIBLE

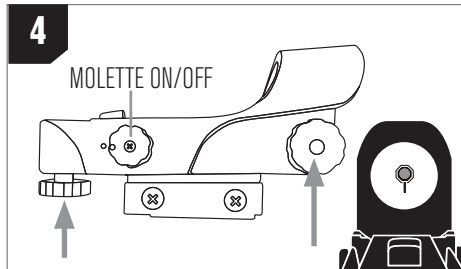
Regardez dans le télescope à l'aide de l'oculaire de 25mm (17mm pour le modèle de 114). Déplacez le télescope jusqu'à que l'objet choisi se trouve au centre du champ de vision. Si l'image est floue, faites doucement tourner la molette de mise au point jusqu'à ce que l'image soit nette.

REMARQUE: L'image dans votre télescope apparaîtra probablement inversée. Cela est parfaitement normal pour un télescope astronomique.



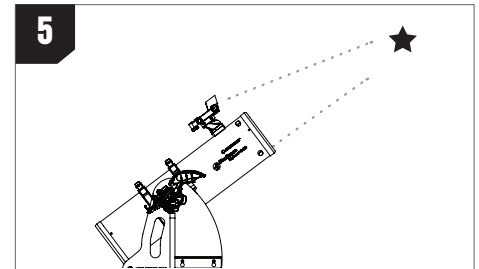
3. REPÉRER AVEC LA LUNETTE DU CHERCHEUR

Tirez sur la languette de protection de la pile du StarPointer et activez-le à la luminosité maximale avec la molette On/Off. Regardez dans le StarPointer et localisez le point rouge.



4. AJUSTER LE CHERCHEUR

Sans déplacer le télescope, utilisez les deux molettes d'ajustement pour déplacer le chercheur jusqu'à que le point rouge s'aligne sur l'objet observé dans l'oculaire basse puissance du télescope.



5. VOTRE CHERCHEUR EST MAINTENANT ALIGNÉ!

Il n'aura pas besoin d'être aligné de nouveau tant qu'il n'aura pas subi un choc ou qu'il sera tombé. Maintenant, quand vous regarderez dans le StarPointer, le point rouge indiquera la direction de visée du télescope. N'oubliez pas d'éteindre le point rouge quand vous avez terminé, pour préserver la pile.

Votre première nuit d'observation

Félicitations! Votre télescope est maintenant configuré et vous êtes prêt à explorer le cosmos. Sortez le télescope en extérieur, insérez votre oculaire de 25 mm (17mm pour le modèle 114), retirez le cache de lentille, insérez votre téléphone intelligent dans le support et lancez l'application StarSense Explorer. Le guide de l'application vous indiquera les étapes pour trouver votre cible astronomique.

Pour obtenir plus d'informations sur le produit, veuillez visiter la page correspondante du produit sur celestron.com/ssetelesopes



Outils Celestron pour les astronomes

AVERTISSEMENT SUR LES PILES		
<ul style="list-style-type: none"> • DANGER D'AVALEMENT: Ce produit contient une pile-bouton. • Cela peut causer la DEATH ou des blessures graves. • Une pile avalée peut causer des brûlures chimiques internes en moins de 2 heures. • Conservez les piles neuves et usées HORS DE PORTÉE DES ENFANTS • CONSULTEZ IMMÉDIATEMENT UN MÉDECIN si vous suspectez qu'une pile a été avalée ou insérée n'importe-où dans le corps. 		

Déclaration de la FCC: Cet appareil respecte la section 15 des règles de la FCC. Son utilisation est sujette aux deux conditions suivantes: (1) Cet appareil ne doit pas causer d'interférences nuisibles et (2) cet appareil doit accepter toutes les interférences reçues, y compris celles pouvant entraîner un fonctionnement indésirable.

INSTRUCTIONS DE SÉCURITÉ

- Risque d'explosion si la pile est remplacée par un type incorrect.
- La pile incluse n'est pas rechargeable.
- N'utilisez la pile que de la manière prévue pour éviter les court-circuits. Si un matériau conducteur met directement en contact les pôles positifs et négatifs d'une pile, cela crée un court-circuit.
- N'utilisez pas une pile endommagée.

- Ne stockez pas la pile dans un lieu extrêmement froid ou chaud. Ceci pourrait réduire sa durée de vie.
- Avant de remplacer la pile, consultez le mode d'emploi et faites attention au sens positif et négatif de la pile.
- Ne jetez pas la pile au feu.
- Jetez la pile dans le respect de la réglementation

Pour obtenir plus d'informations sur le produit, veuillez visiter la page correspondante du produit sur celestron.com



AVERTISSEMENT SUR LE SOLEIL:

N'essayez jamais d'observer le soleil à l'aide d'un télescope sans utiliser un filtre solaire adéquat.



celestron.com/pages/warranty
BESOIN D'ASSISTANCE? Contactez le support technique de Celestron
celestron.com/pages/technical-support

Le design et les spécifications du produit sont sujettes à modification sans préavis. Ce produit est conçu et prévu pour être utilisé par des personnes âgées de 14 ans et plus



©2023 Celestron. Celestron et le Symbol sont des marques déposées de Celestron, LLC. Tous droits réservés. Celestron.com • 2835 Columbia Street, Torrance, CA 90503 USA

Fabriquée en Chine | 05-23



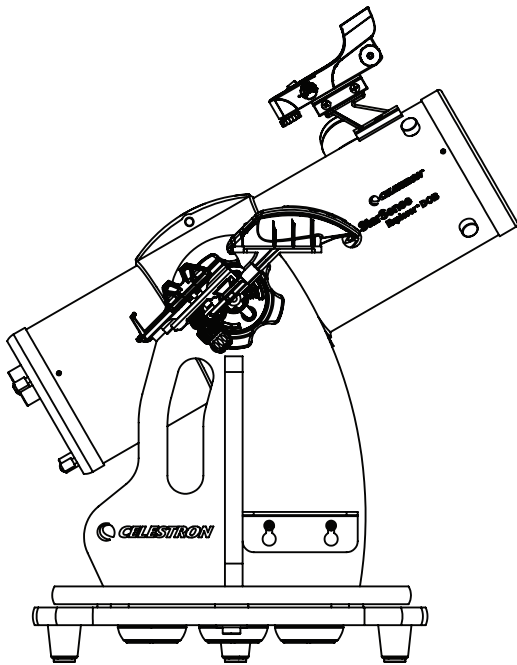
StarSense Explorer™ DOB

Kurzanleitung zur Einrichtung

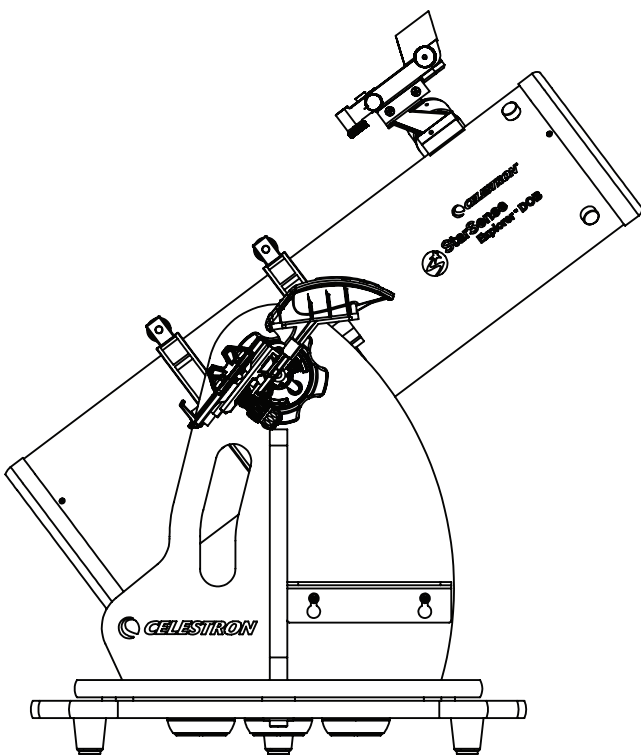
#22480 STARSSENSE EXPLORER 114 MM TISCHGERÄT DOBSON

#22481 STARSSENSE EXPLORER 130 MM TISCHGERÄT DOBSON

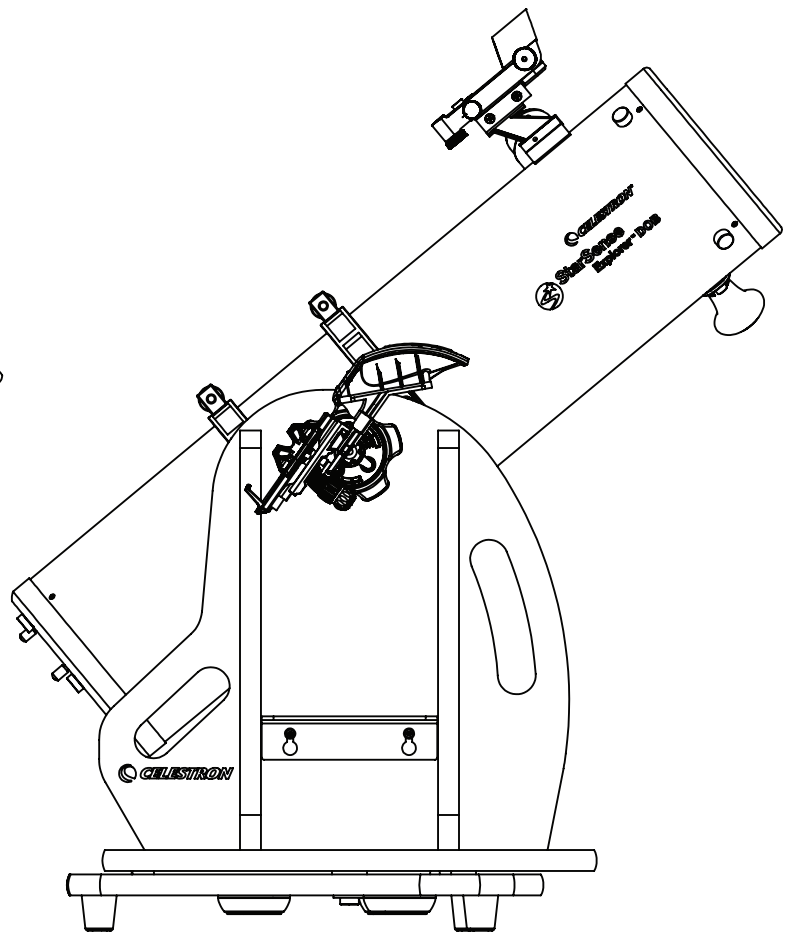
#22482 STARSSENSE EXPLORER 150 MM TISCHGERÄT DOBSON



114 mm

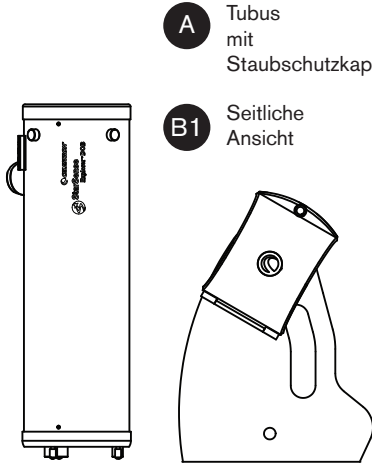
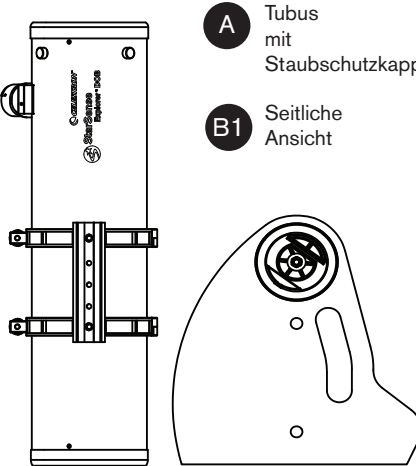
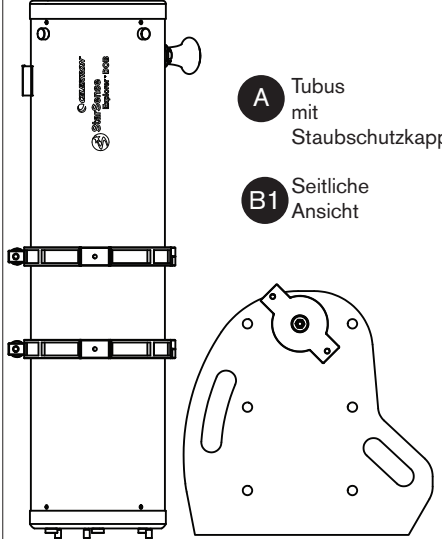



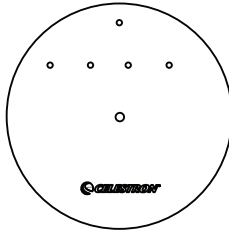
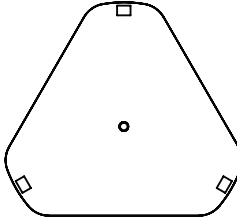


130 mm




150 mm

Lieferumfang

114 mm	130 mm	150 mm
 <p>A Tubus mit Staubschutzkappe</p> <p>B1 Seitliche Ansicht</p>	 <p>A Tubus mit Staubschutzkappe</p> <p>B1 Seitliche Ansicht</p>	 <p>A Tubus mit Staubschutzkappe</p> <p>B1 Seitliche Ansicht</p>

 <p>B2 Seitstütze(n) 114 mm (x 1) 130 mm (x 1) 150 mm (x 2)</p>	 <p>B3 Obere Platte</p>	 <p>B4 Untere Platte</p>	 <p>B5 Schrauben für die Sockelmontage 114 mm (x 6) 130 mm (x 7) 150 mm (x 11)</p>	 <p>B6 Schraubabdeckungen für die Sockelmontage 114 mm (x 2) 130 mm (x 2) 150 mm (x 6)</p>
--	--	---	--	--

STATIVADAPTER



C1 Stativadapter Scheiben (x 3)

C2 Stativadapter Schrauben (x 3)

MONTAGE DER FÜßE

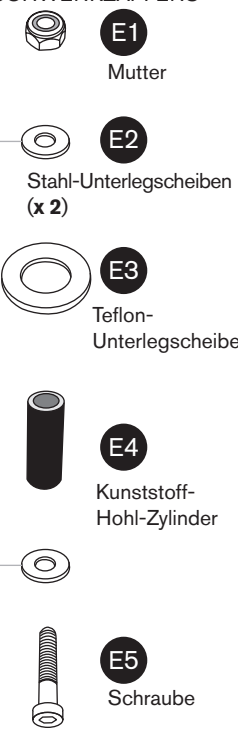


D1 Füße (x 3)

D2 Füße Schrauben (x 3)

D3 Abdeckungen für Fußschrauben (x 3)

MONTAGE DES AZIMUTSCHWENKZAPFENS



E1 Mutter


E2 Stahl-Unterlegscheiben (x 2)

E3 Teflon-Unterlegscheibe

E4 Kunststoff-Hohl-Zylinder

E5 Schraube


MONTAGE DES OKULARHALTERS



F1 Okularhalter 114 mm

F1 Okularhalter 130 mm

F1 Okularhalter 150 mm



G StarSense Explorer Dock

H StarPointer Leuchtpunktsucher




I1 17-mm-Okular (114 mm)
25-mm-Okular (130 mm und 150 mm)

I2 10 mm Okular

J Kollimationskappe*

*Informationen zur Kollimation der Optik Ihres Teleskops finden Sie in der vollständigen Bedienungsanleitung unter celestron.com.

MITGELIEFERTE WERKZEUGE

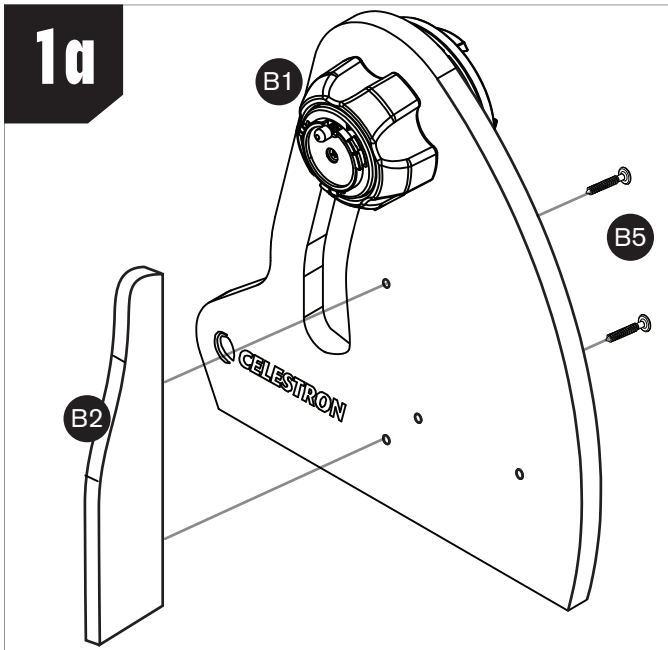


Schraubendreher

Inbusschlüssel 114 mm (x 2)
130 mm (x 3)
150 mm (x 3)

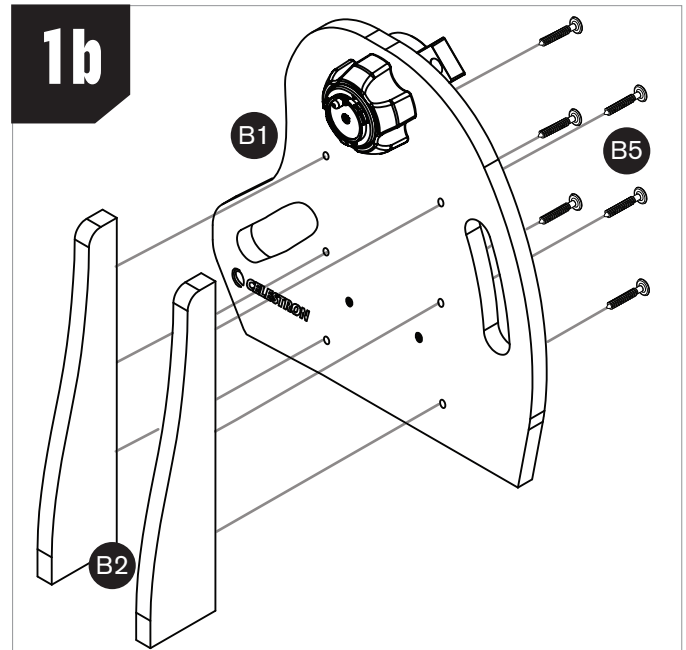
Rollgabelschlüssel (Engländer)

Zusammenbau



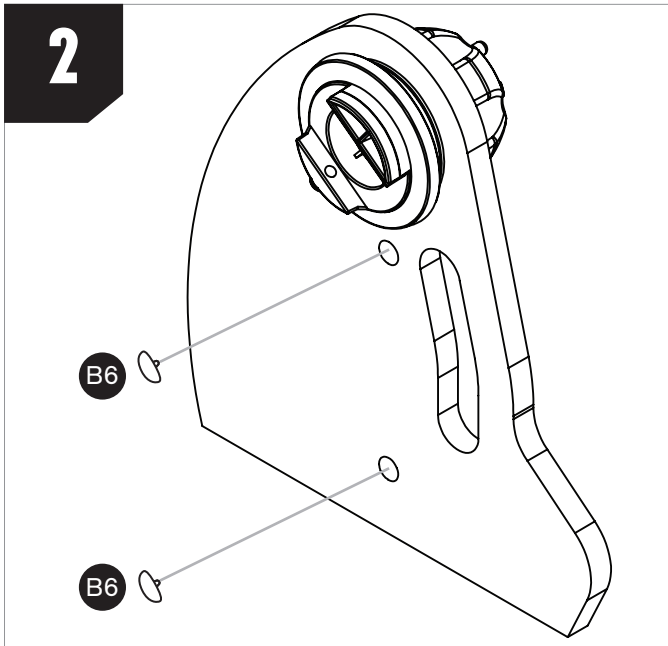
Für die 114-mm- und 130-mm-Modelle:

1. Verbinden Sie die Seitenstütze (B2) mit den Sockelmontageschrauben (B5) mit der Seitenwand (B1). Die Stützen werden auf der gleichen Seite, wo sich die Celestron Logos befinden, angebracht.

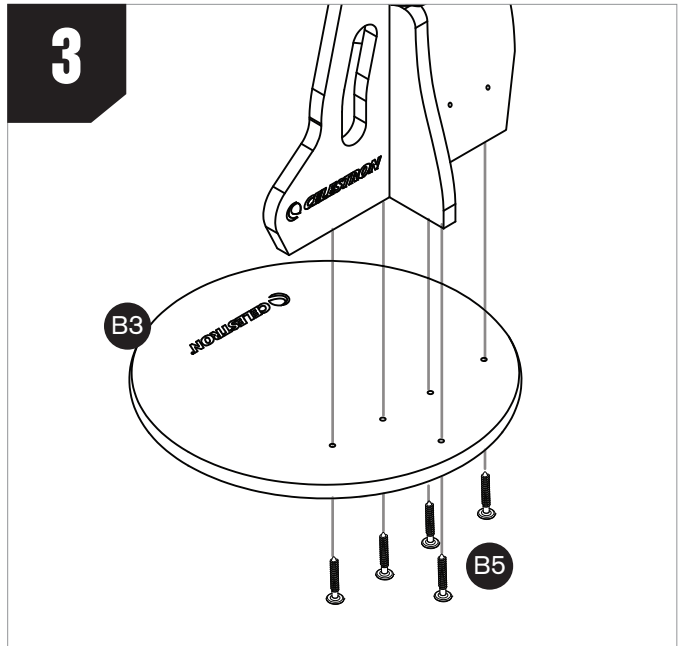


Für das 150-mm-Modell:

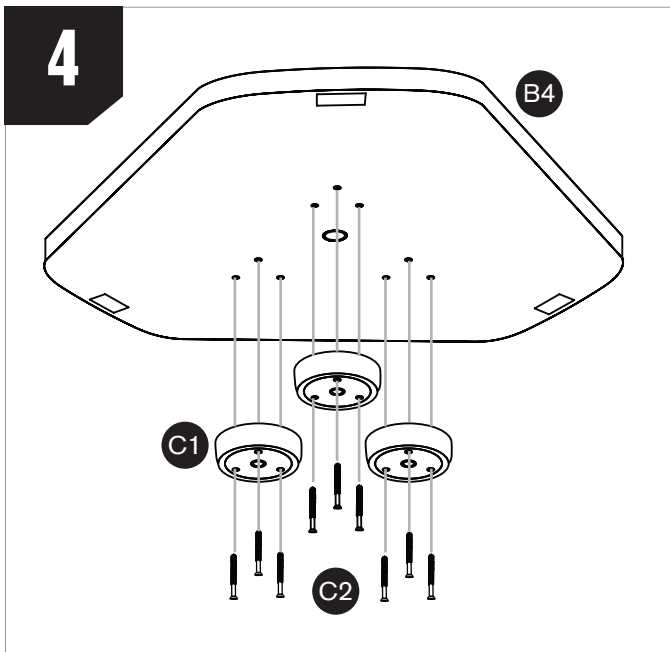
- 1a. Verbinden Sie die Seitenstützen (B2) mit den Sockelmontageschrauben (B5) mit der Seitenwand (B1). Die Stützen werden auf der gleichen Seite, wo sich das Celestron Logo befindet, angebracht.



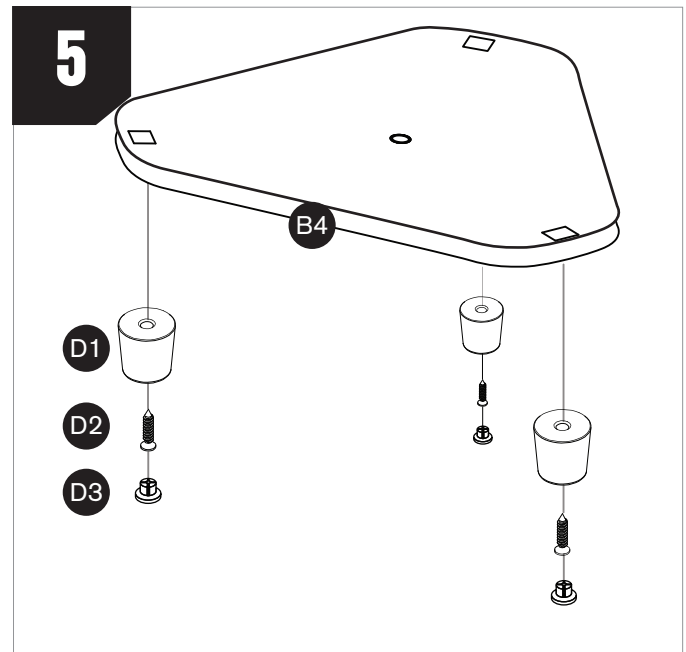
2. Bei Bedarf können Sie die kosmetischen Schraubenabdeckungen (B6) auf den in Schritt 1 installierten Schrauben anbringen. Drücken Sie die Abdeckungen fest auf die Schraubenköpfe. Für die 114-mm- und 130-mm-Modelle müssen 2 Schraubenabdeckungen installiert werden, für das 150-mm-Modell müssen 6 Schraubenabdeckungen installiert werden.



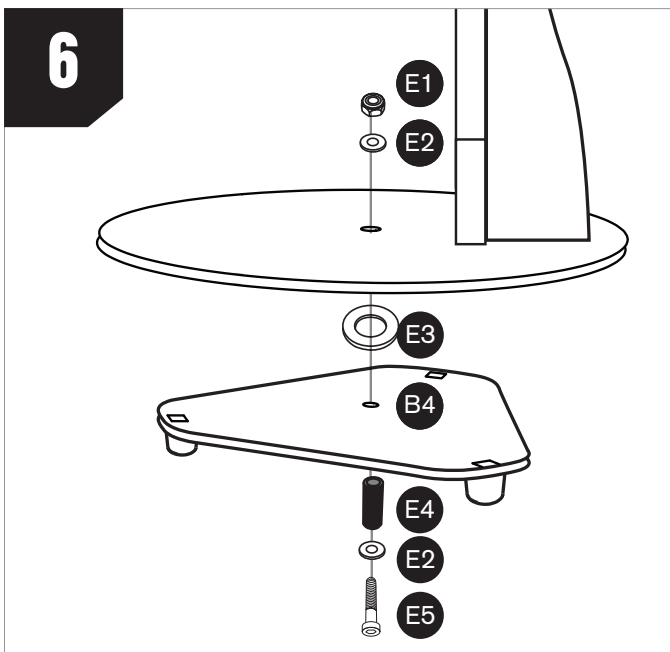
3. Verbinden Sie das bereits Zusammengebaute mit der oberen Platte (B3) und verwenden die Schrauben des Sockels (B5). Richten Sie die obere Platte so aus, dass die Seite mit dem Logo nach oben zeigt. Für das 114-mm-Modell müssen 4 Schrauben installiert werden, für die 130-mm- und 150-mm-Modelle müssen 5 Schrauben installiert werden.



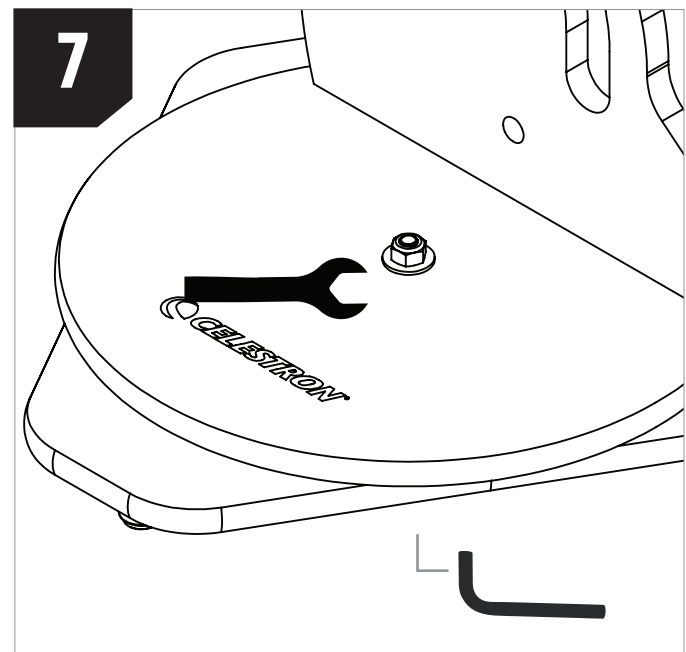
4. Befestigen Sie die 3 Stativadapterscheiben (C1) mit den Stativadapterschrauben (C2) an der Bodenplatte (B4). Schrauben Sie die Schrauben fest in die vorgebohrten Führungslöcher, aber ziehen Sie sie nicht zu fest an, da sonst das Holz beschädigt werden könnte.



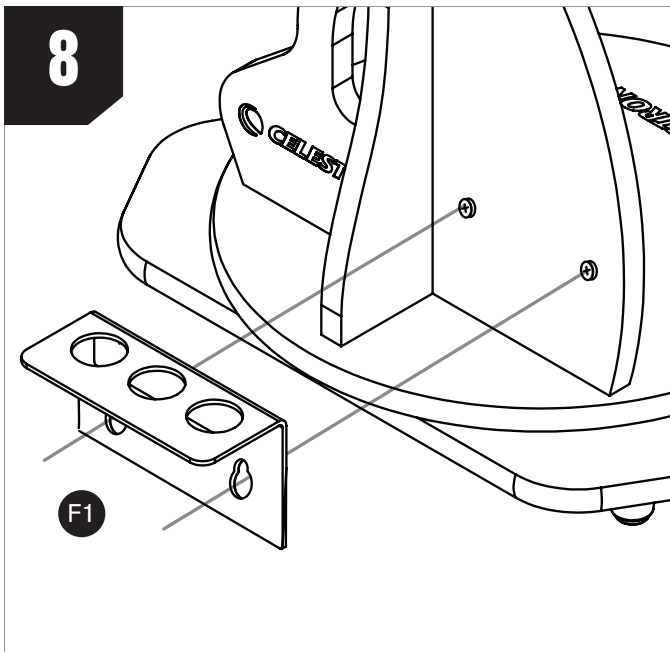
5. Befestigen Sie die 3 FüÙe (D1) mit den Schrauben für die FüÙe (D2) an der unteren Platte (B4). Ziehen Sie die Schrauben in den vorgebohrten Löchern fest. Drücken Sie nach dem Festziehen die Schraubenabdeckungen (D3) auf die Fußunterseite.



6. Verbinden Sie das Zusammengebauete mit der unteren Platte (B4). Stecken Sie eine Stahl-Unterlegscheibe (E2) und den Kunststoffzylinder (E4) auf den Bolzen (E5). Führen Sie dann den Bolzen durch das Loch in der Mitte in der unteren Platte. Setzen Sie dann die Teflon-Unterlegscheibe (E3) über den Kunststoffzylinder (E4), der jetzt aus der unteren Platte ragt. Nehmen Sie den zusammengebauten Sockel und setzen ihn auf die untere Platte, sodass der Kunststoffzylinder durch das Loch in der Mitte der oberen Platte geht. Setzen Sie nun die verbleibende Stahl-Unterlegscheibe (E2) auf die Schraube, die aus der oberen Platte ragt. Schrauben Sie die Schraube mit der Mutter (E1) fest. Gehen Sie zu Schritt 7 für die Anweisungen zum Anziehen der Schraube.

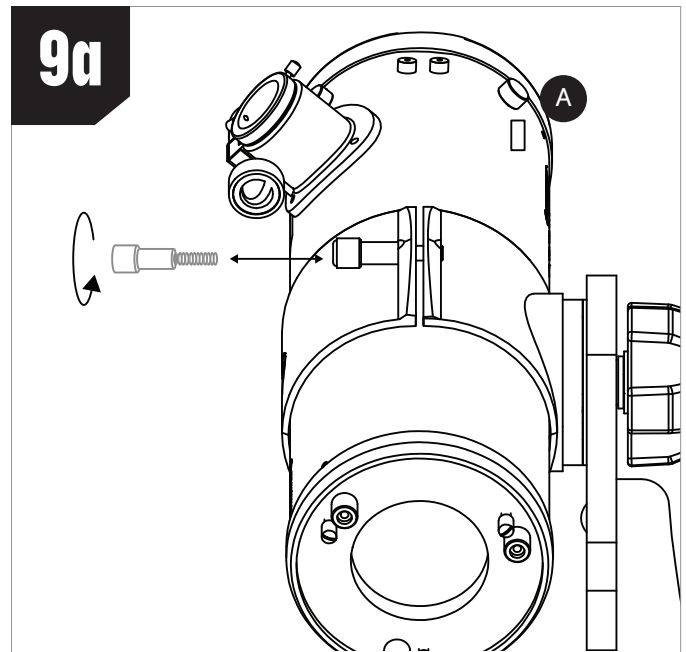


7. Ziehen Sie die Mutter mit dem Engländer und dem großen Inbusschlüssel an der Schraube fest. Halten Sie den Kopf der Schraube mit dem Inbusschlüssel fest, während Sie die Mutter mit dem Engländer festziehen. ZIEHEN SIE DIE SCHRAUBEN NICHT ZU FEST AN! Mit wenig Kraft sollten Sie die Stahl-Unterlegscheibe mit den Fingern unter der Mutter bewegen können. Lösen Sie die Mutter etwas, wenn sich die Unterlegscheibe nicht mit den Fingern bewegen lässt.



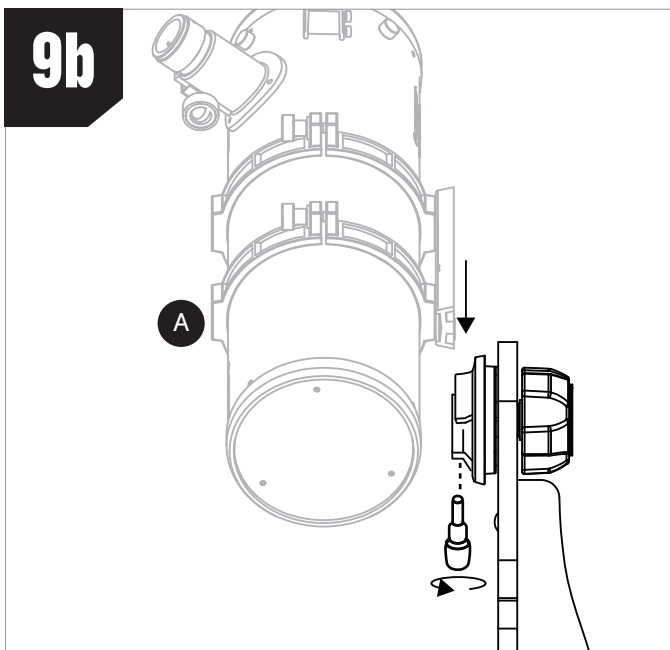
8. Installieren Sie das Okulargestell (F1), indem Sie die Schlüssellöcher im Gestell über den in der Seitenwand vorinstallierten Befestigungsschrauben platzieren und dann das Gestell nach unten drücken.

HINWEIS: Wenn Sie den Okularhalter zur Lagerung oder zum Transport entfernen möchten, ziehen Sie ihn einfach nach oben.



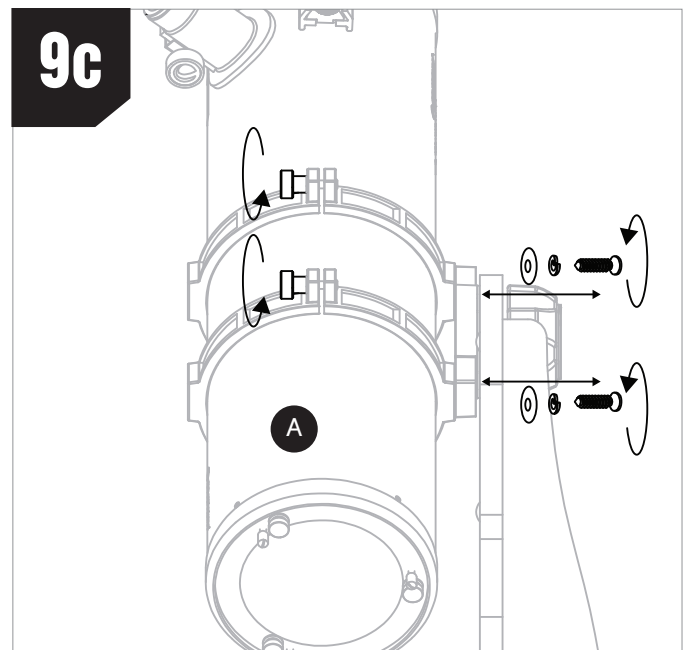
Für das 114-mm-Modell:

9a. Verbinden Sie den Tubus (A) mit der zusammengebauten Basis. Lösen Sie den Klemmknopf an der Halterung vollständig und öffnen sie. Setzen Sie den optischen Tubus wie abgebildet in die Halterung, schließen Sie die Halterung und ziehen den Klemmknopf wieder fest, bis er fest sitzt.



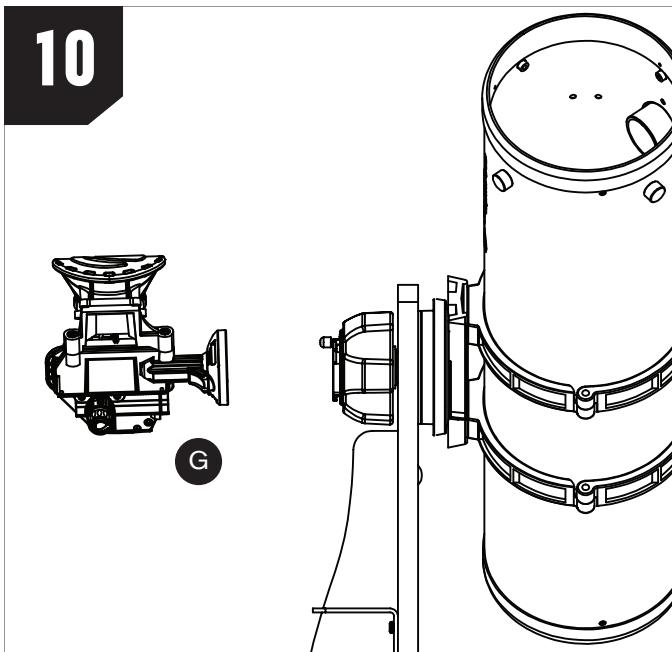
Für das 130-mm-Modell:

9b. Lösen Sie den Knopf der Schwalbenschwanzhalterung an der Seitenwand. Setzen Sie dann den Schwalbenschwanz, der mit den Rohrschellen mit dem Tubus verbunden ist, ein und ziehen den Knopf wieder fest, bis der Schwalbenschwanz sicher in der Halterung sitzt.

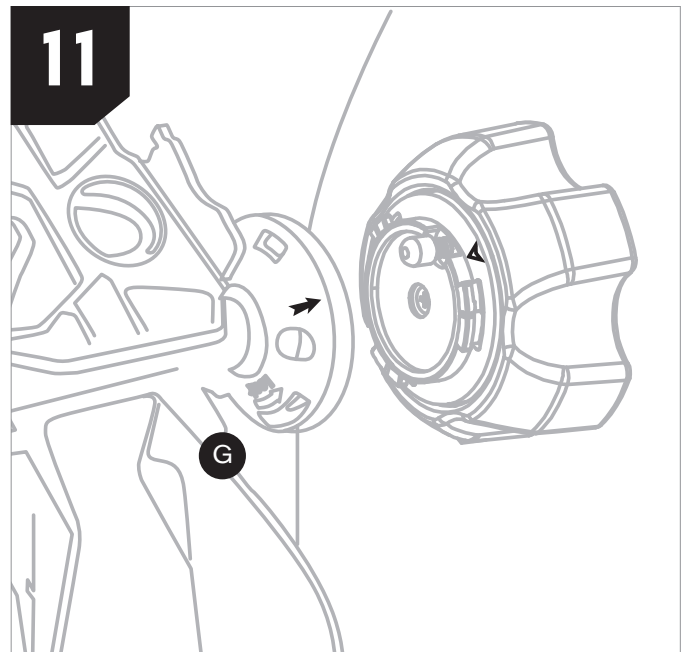


Für das 150-mm-Modell:

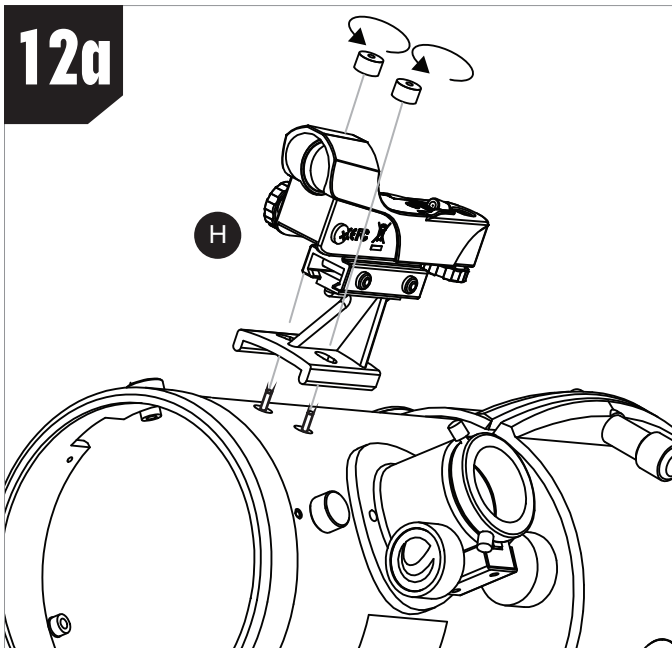
9c. Verbinden Sie den Tubus (A) mit der zusammengebauten Basis. Sie müssen die Rohrschellen mit der Montageplatte an der Basis verbinden. Verwenden Sie dazu die bereits in den Rohrschellen verbauten Schrauben und Sicherungsscheiben. Am einfachsten ist es, zunächst die Ringe vom optischen Tubus zu entfernen, um sie auf der Montageplatte zu montieren. Schrauben Sie die Rohrschellen vollständig ab und öffnen sie, um den Tubus zu entfernen.



10. Das StarSense-Dock (G) einbauen. Stecken Sie den Bajonettverschluss an der Seite der Dockingstation in den Anschluss an der Seitenwand der Basis.

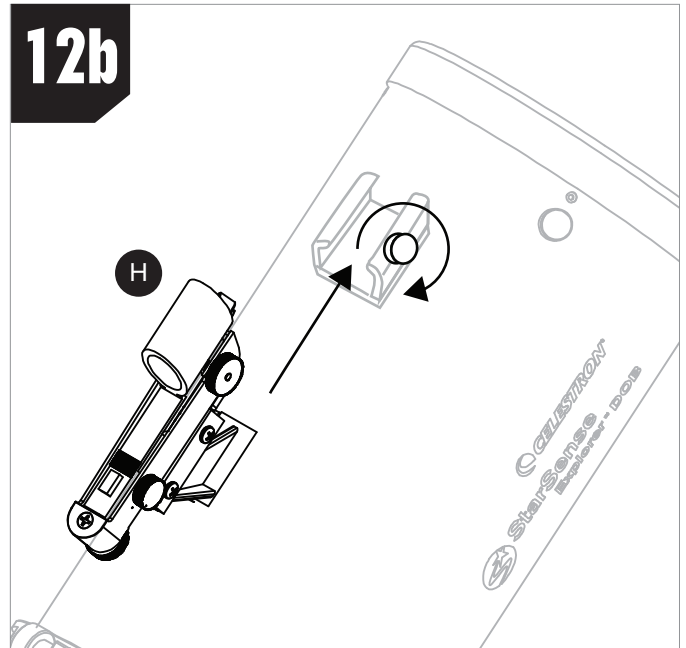


11. Richten Sie den Pfeil am Dock an der Ausrichtungsmarkierung an der Basis aus und drücken es nach innen, während Sie das Dock gegen den Uhrzeigersinn drehen, bis der orangefarbene Entriegelungsknopf im Loch am Dock einrastet. Um das Dock zu entfernen, drücken Sie den orangefarbenen Entriegelungsknopf und drehen das Dock im Uhrzeigersinn, bis sich der Bajonettverschluss löst.



Für das 114-mm-Modell:

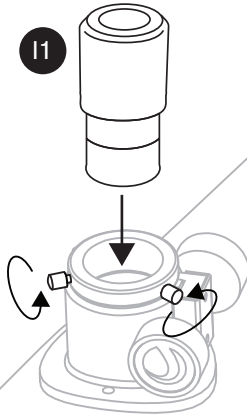
12a. Installieren Sie den StarPointer Sucher mit rotem Punkt (H) auf dem optischen Tubus. Lösen und entfernen Sie zuerst die beiden Rändelmutter von den Gewindestiften neben dem Fokussierer. Setzen Sie den StarPointer so auf den Tubus, dass die Gewindestifte durch die Löcher in der Basis des StarPointers gehen und schrauben dann die Rändelmutter wieder auf die Stifte, um den StarPointer zu befestigen.



Für die 130-mm- und 150-mm-Modelle:

12b. Installieren Sie den StarPointer Sucher mit rotem Punkt (H) auf dem optischen Tubus. Lösen Sie zuerst die Rändelschraube am Sucherfernrohrhalter. Stecken Sie den Sockel des StarPointer in die Halterung und ziehen Sie die Rändelschraube fest.

13



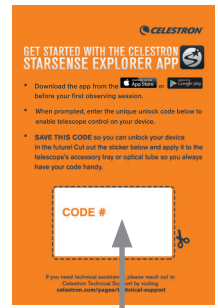
13. Lösen Sie die Rändelschrauben am Ende des Fokussierers, entfernen die Abdeckkappe des Fokussierers und setzen das 25-mm-Okular (oder 17-mm-Okular) ein. Ziehen Sie die Rändelschrauben am Fokussierer wieder fest, um das Okular zu befestigen.

Herunterladen und Aktivieren der App



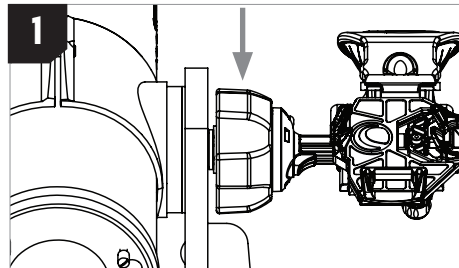
Bevor Sie Ihr Teleskop mit nach draußen nehmen, laden Sie die StarSense Explorer-App auf Ihr Mobilgerät. Suchen Sie im Apple App Store oder bei Google Play nach „Celestron StarSense Explorer“. Die App ist groß. Daher empfehlen wir, sie über eine bestehende WLAN-Verbindung herunterzuladen.

Nachdem Sie die App heruntergeladen haben, suchen Sie die orangefarbene Postkarte in Ihrer Teleskopverpackung. Öffnen Sie die App. Wenn Sie dazu aufgefordert werden, geben Sie den Aktivierungscode auf der Postkarte ein, um die App zu aktivieren. Ihr Code entspermt bis zu 5 Geräte.

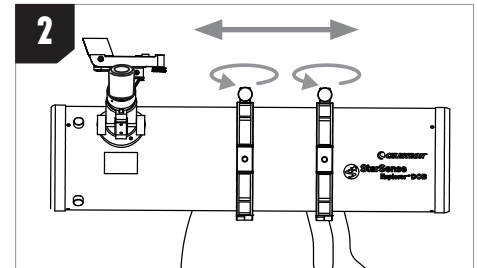


Ausbalancieren des Teleskops

Für optimale Höhenbewegungen (auf und ab) sollte der optische Tubus des Teleskops ungefähr auf der Basis ausbalanciert sein.



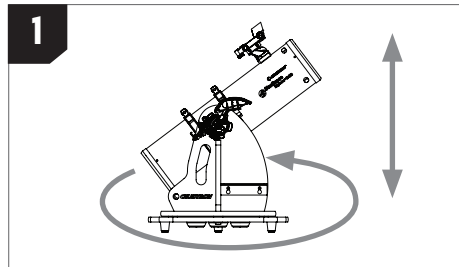
1. Um das Gleichgewicht zu überprüfen, lösen Sie den Höhenspannknopf, sodass sich die Höhenachse frei bewegen kann. Beachten Sie, ob das Teleskop nach vorne (vorderlastig) oder nach hinten (hecklastig) geneigt ist.



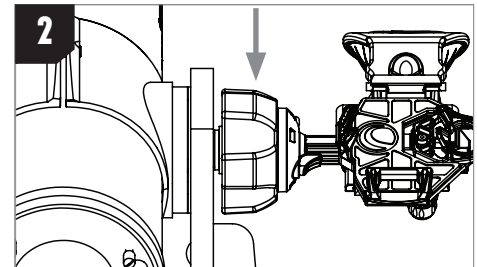
2. Lösen Sie die Rohrschellen (130-mm- und 150-mm-Modelle) oder den Rohrklemmenknopf (114 mm) und schieben das Teleskop in den Ringen/der Klemme nach vorne oder hinten, damit es ausbalanciert ist. Wenn Sie fertig sind, ziehen Sie alles wieder fest.

Bewegen des Teleskops

Das StarSense Dobson Teleskop bewegt sich frei in Höhe (auf und ab) und Azimut (von links nach rechts).

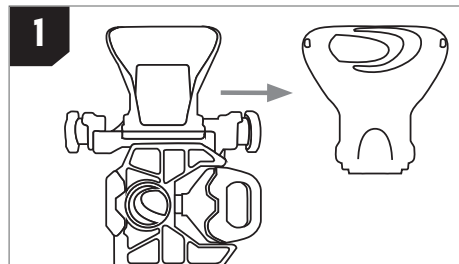


1. Sie bewegen einfach den Tubus, indem Sie ihn in die gewünschte Richtung schieben. Beim 150-mm-Modell können Sie den Knopfgriff an der Vorderseite des Teleskops als Handgriff verwenden.

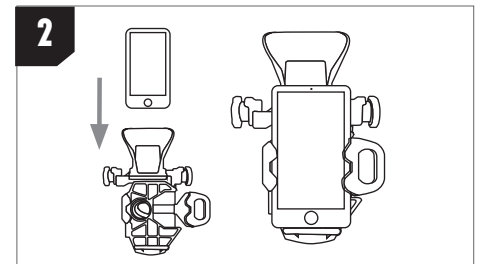


2. Wenn sich die Höhenbewegung zu leicht bewegt oder sich das Teleskop ohne Kraftanwendung nach oben oder unten bewegt, ziehen Sie den Höhenwiderstandsknopf fest. Umgekehrt, wenn viel Kraft erforderlich ist, um das Teleskop nach oben oder unten zu bewegen, lösen Sie den Knopf.

Smartphone anbringen



1. Entfernen Sie die große Kappe, die den Spiegel an der Vorderseite der StarSense-Dockingstation abdeckt.



2. Öffnen Sie durch Ziehen den federgespannten Schieber oben am Telefondock und setzen das Telefon so in die Halterung ein, dass es bündig mit der unteren Lippe der Telefonhalterung abschließt. Lassen Sie den Schieber langsam los, um das Telefon zu sichern.

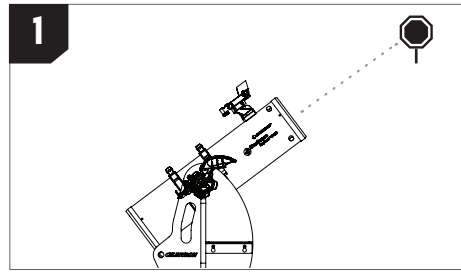
Ausrichten des StarPointers

Der StarPointer Sucher mit rotem Punkt ist einer der wichtigsten Teile Ihres Teleskops. Obwohl die StarSense Explorer-App Objekte für Sie lokalisiert und zentriert, hilft Ihnen die richtige Ausrichtung des StarPointers dabei, die App auf das Teleskop auszurichten. Wenn Sie Ihr Teleskop zum ersten Mal zusammenbauen, müssen Sie das Sucherfernrohr auf die Hauptoptik des Teleskops ausrichten. Am besten tun Sie dies tagsüber.*



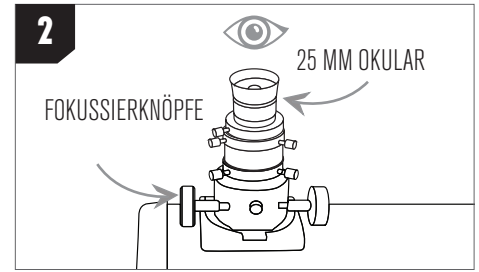
*WARNUNG BEI SONNENBEOBACHTUNG!

Versuchen Sie niemals die Sonne ohne einen geeigneten Sonnenfilter durch ein Teleskop zu beobachten.



1. WÄHLEN SIE EIN ZIEL

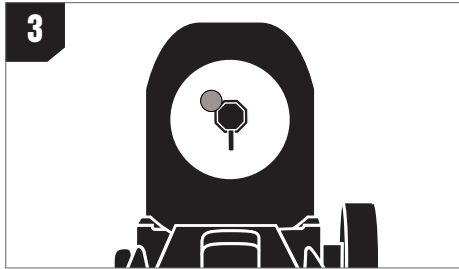
Nehmen Sie das Teleskop tagsüber mit nach draußen und suchen ein leicht erkennbares Objekt wie eine Straßenlaterne, ein Nummernschild oder ein Schild. Das Objekt sollte so weit wie möglich entfernt sein, mindestens 400 Meter entfernt.



2. ZENTRIEREN SIE DAS ZIEL IM OKULAR

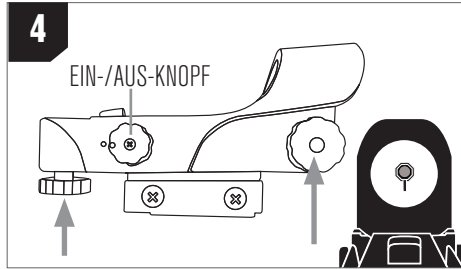
Schauen Sie mit dem 25-mm-Okular (17 mm beim Modell 114) durch das Teleskop. Schwenken Sie das Teleskop, bis das ausgewählte Objekt im Zentrum des Sichtfelds liegt. Ist das Bild unscharf, drehen Sie langsam am Fokussierknopf, bis das Bild scharf gestellt ist.

HINWEIS: Das Bild in Ihrem Teleskop erscheint möglicherweise spiegelverkehrt. Dies ist bei einem astronomischen Teleskop völlig normal.



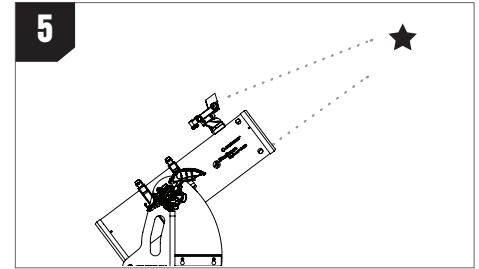
3. SCHAUEN SIE DURCH DAS SUCHERFERNROHR

Ziehen Sie die Batterieschutzlasche aus dem StarPointer und schalten ihn mit dem Ein-/Ausschalter auf maximale Helligkeit. Schauen Sie durch den StarPointer und suchen den roten Punkt.



4. DAS SUCHERFERNROHR EINSTELLEN

Ohne das Teleskop zu bewegen, bewegen Sie mit den zwei Knöpfen den roten Punkt bis er über demselben Objekt erscheint, das Sie im Okular des Teleskops mit geringer Vergrößerung beobachten.



5. IHR SUCHERFERNROHR IST JETZT AUSGERICHTET!

Es ist keine Neuausrichtung erforderlich, es sei denn, es wurde einem Stoß ausgesetzt oder fiel um. Wenn Sie jetzt durch den StarPointer blicken, zeigt der rote Punkt an, wohin das Teleskop zeigt. Vergessen Sie nicht, den roten Punkt auszuschalten, wenn Sie fertig sind, um den Akku zu schonen.

Ihre erste Nacht draußen

Herzlichen Glückwunsch! Nun ist Ihr Teleskop vollständig zusammengebaut und Sie sind bereit, den Kosmos zu erforschen. Nehmen Sie das Teleskop mit nach draußen, setzen Sie Ihr 25-mm-Okular (17 mm beim Modell 114) ein, entfernen Sie den Objektivdeckel, stecken Ihr Smartphone in die Halterung und öffnen die StarSense Explorer-App. Das Tutorial in der App führt Sie durch die Schritte, um Ihr erstes astronomisches Ziel zu suchen.



Celestron-Tools für Astronomen

Weitere Informationen zu diesem Produkt finden Sie auf der jeweiligen Produktseite auf [celestron.com/ssetelesopes](https://www.celestron.com/ssetelesopes)

 	<p>⚠ BATTERIEWARNUNG</p> <ul style="list-style-type: none"> • VERSCHLUCKUNGSGEFAHR: Dieses Produkt enthält eine Knopfzelle. • Beim Verschlucken kann es zum TOD oder zu schweren Verletzungen kommen. • Eine verschluckte Knopfzelle kann bereits nach 2 Stunden zu inneren Verätzungen führen. • Bewahren Sie neue und gebrauchte Batterien AUßERHALB DER REICHWEITE VON KINDERN auf. • SUCHEN SIE EINEN ARZT AUF, wenn der Verdacht besteht, dass die Batterie verschluckt oder in einen Körperteil eingeführt wurde. 	
------	--	--

FCC-HINWEIS: Dieses Gerät entspricht Teil 15 der FCC-Bestimmungen. Der Betrieb unterliegt den folgenden beiden Bedingungen: (1) Dieses Gerät darf keine schädlichen Störungen erzeugen und (2) dieses Gerät muss Störungen von außen akzeptieren, dazu gehören solche Störungen, die einen unerwünschten Betrieb verursachen.

SICHERHEITSHINWEISE

- Es besteht eine Explosionsgefahr, wenn die Batterie durch einen falschen Batterietyp ersetzt wird.
- Die mitgelieferte Batterie ist nicht wiederaufladbar.
- Verwenden Sie die Batterie nur wie ursprünglich vorgesehen, um einen Kurzschluss zu vermeiden. Das direkte Anschließen des leitenden Materials an die positiven und negativen Seiten der Batterie führt zu einem Kurzschluss.
- Verwenden Sie keine beschädigte Batterie.
- Lagern Sie die Batterie nicht in einer extrem kalten oder heißen Umgebung. Dies kann die Batterielebensdauer verringern.
- Beachten Sie beim Ersetzen der Batterie die Bedienungsanleitung und sorgen Sie dafür, dass die positiven und negativen Pole richtig ausgerichtet sind.
- Werfen Sie die Batterie nicht ins Feuer.
- Entsorgen Sie die Batterie gemäß den örtlichen Vorschriften.

Weitere Informationen zu diesem Produkt finden Sie auf der jeweiligen Produktseite auf [celestron.com](https://www.celestron.com)



SONNENSTRAHLEN-WARNHINWEIS:

Versuchen Sie niemals, ohne einen geeigneten Sonnenfilter die Sonne durch ein Teleskop zu beobachten.



[celestron.com/pages/warranty](https://www.celestron.com/pages/warranty)



BENÖTIGEN SIE UNTERSTÜTZUNG? Wenden Sie sich an die technische Unterstützung von Celestron unter [celestron.com/pages/technical-support](https://www.celestron.com/pages/technical-support)

Produktdesign und technische Daten können ohne vorherige Ankündigung geändert werden. Dieses Produkt ist für Personen ab 14 Jahren konzipiert und vorgesehen.



©2023 Celestron. Celestron und Symbol sind Warenzeichen von Celestron, LLC. Alle Rechte vorbehalten. [celestron.com](https://www.celestron.com) • 2835 Columbia Street, Torrance, CA 90503 USA

Hergestellt in China | 06-23

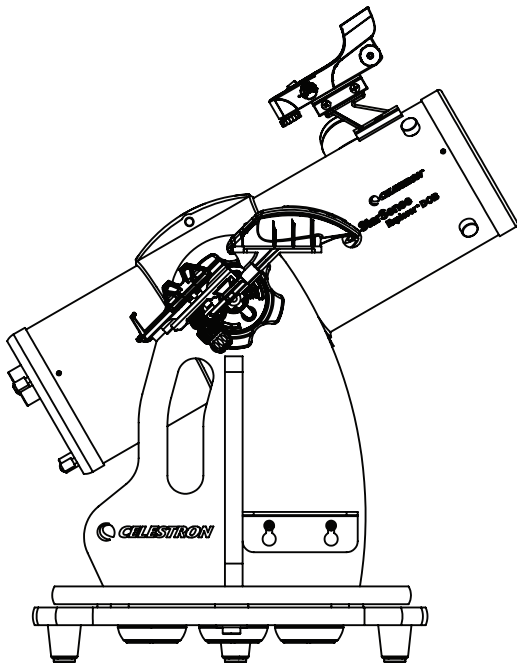
StarSense
Explorer™ DOB

Guida rapida

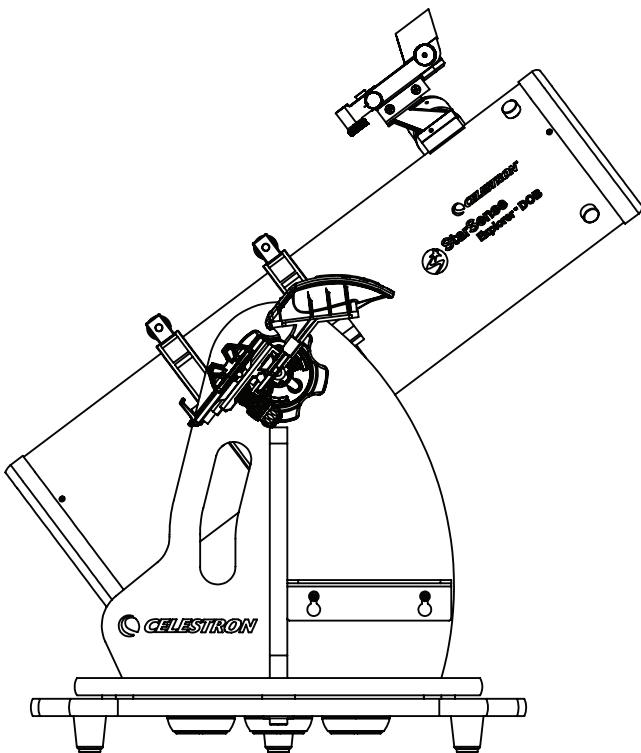
TELESCOPIO DA TAVOLO DOBSON STARSSENSE EXPLORER 114MM N. 22480

TELESCOPIO DA TAVOLO DOBSON STARSSENSE EXPLORER 130MM N. 22481

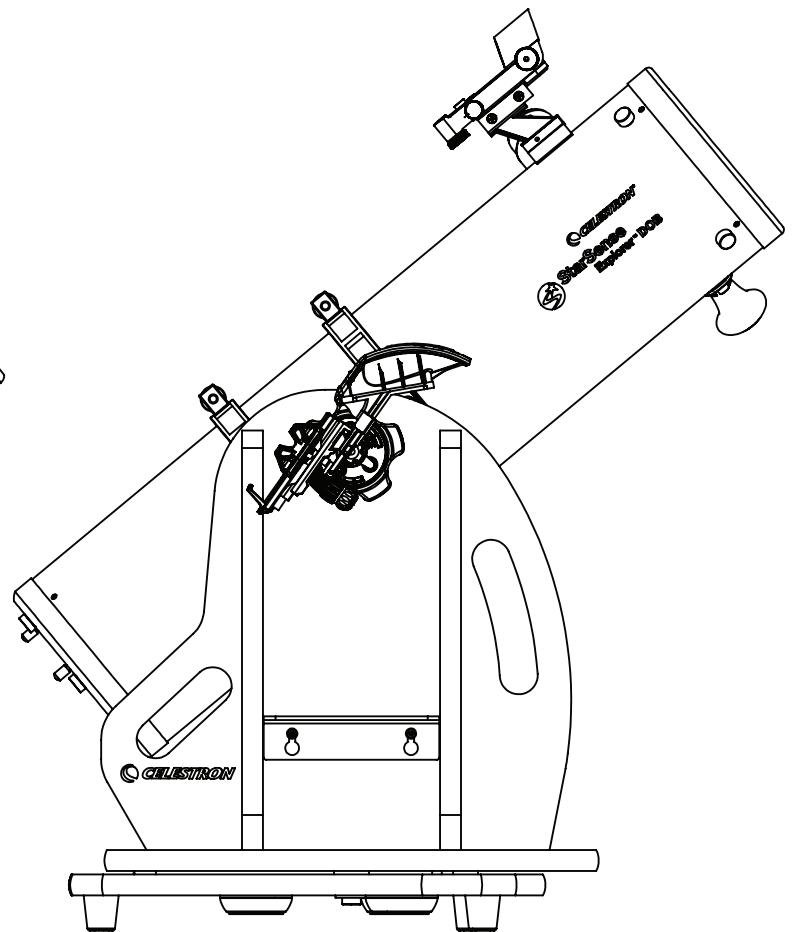
TELESCOPIO DA TAVOLO DOBSON STARSSENSE EXPLORER 150MM N. 22482



114mm

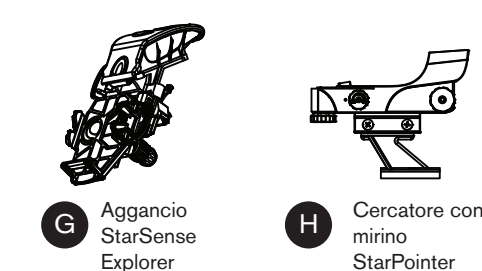
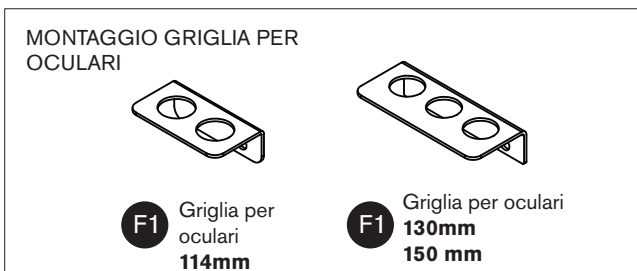
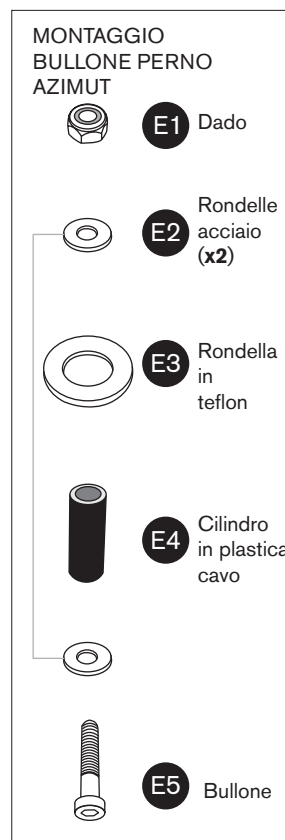
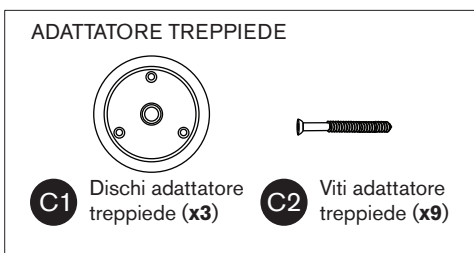
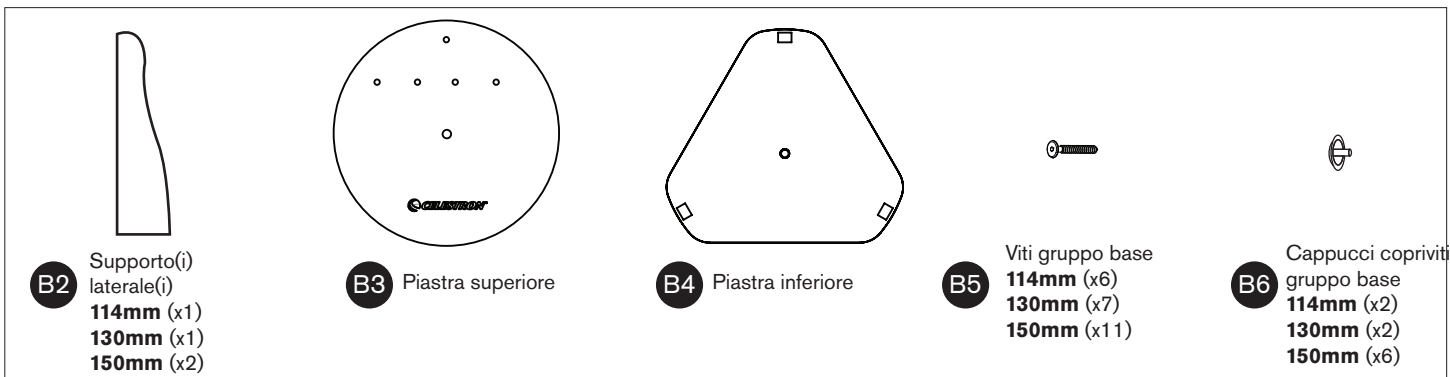
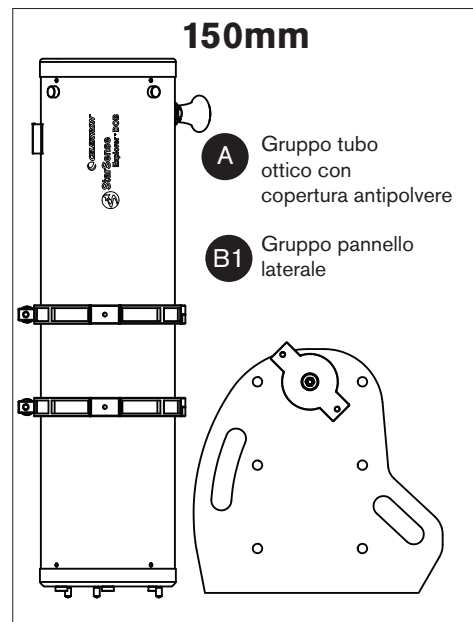
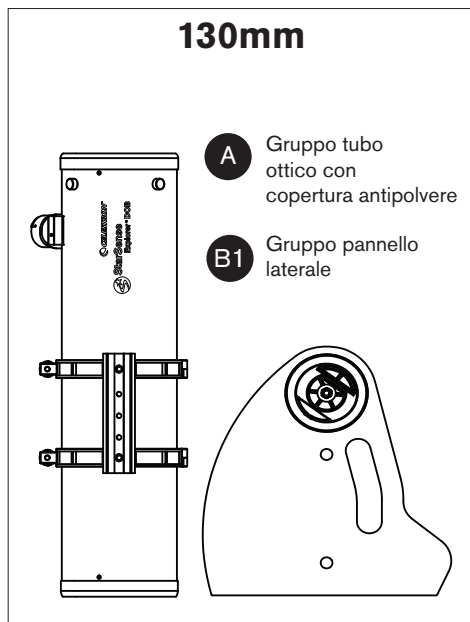
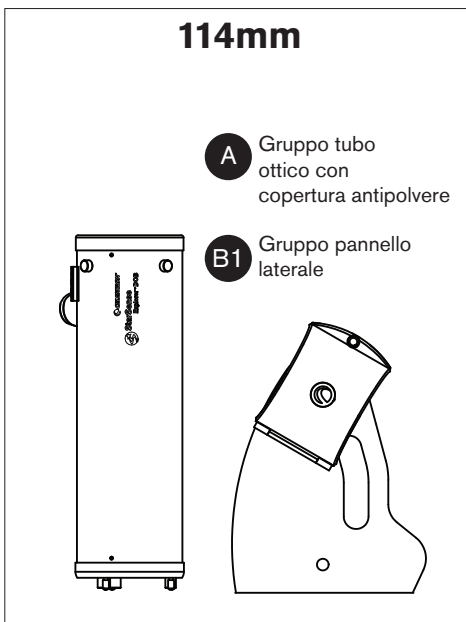


130mm

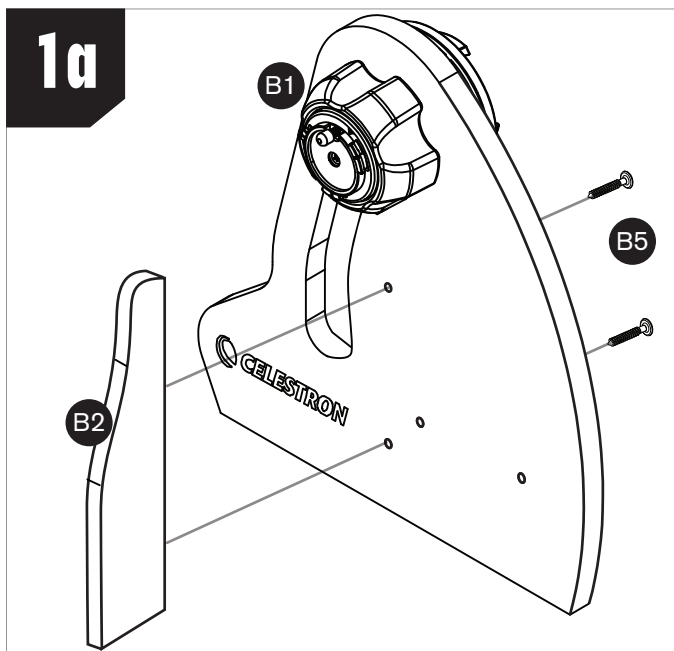


150mm

Contenuto della confezione

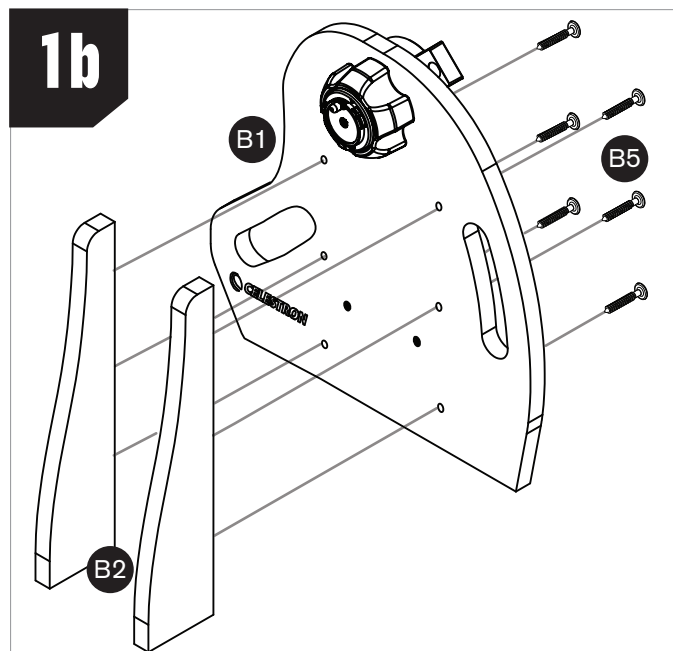


Assemblaggio



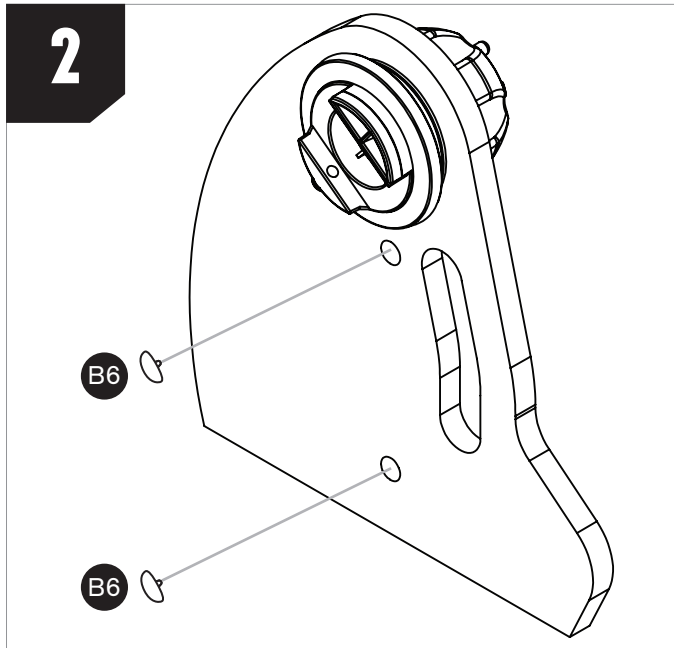
Per i modelli da 114mm e 130mm:

1. Collegare il supporto laterale (B2) al pannello laterale (B1) mediante le viti del gruppo base (B5). I supporti vanno sullo stesso lato dei pannelli con il logo Celestron.

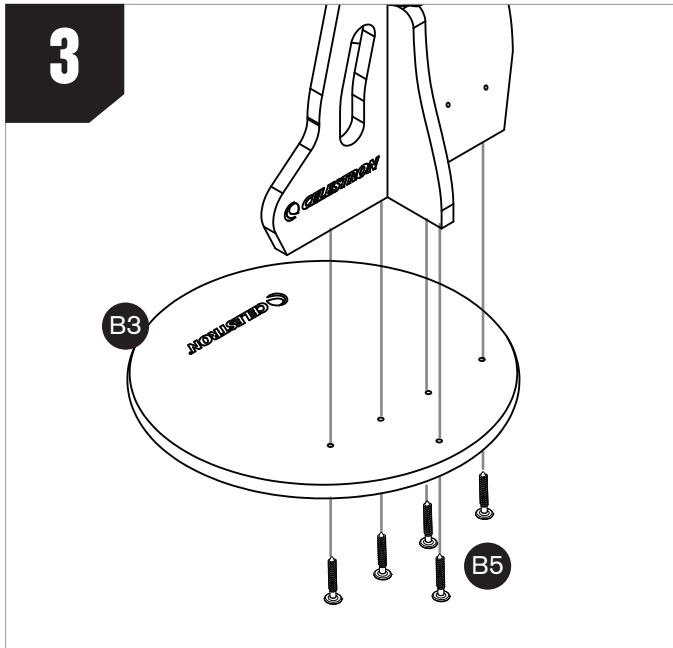


Per il modello da 150mm:

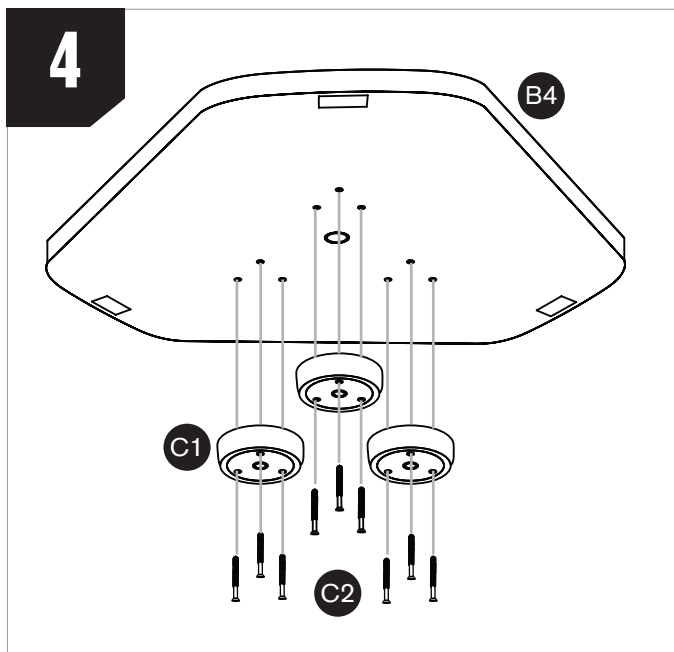
- 1a. Collegare i 2 supporti laterali (B2) al pannello laterale (B1) mediante le viti del gruppo base (B5). I supporti vanno sullo stesso lato dei pannelli con il logo Celestron.



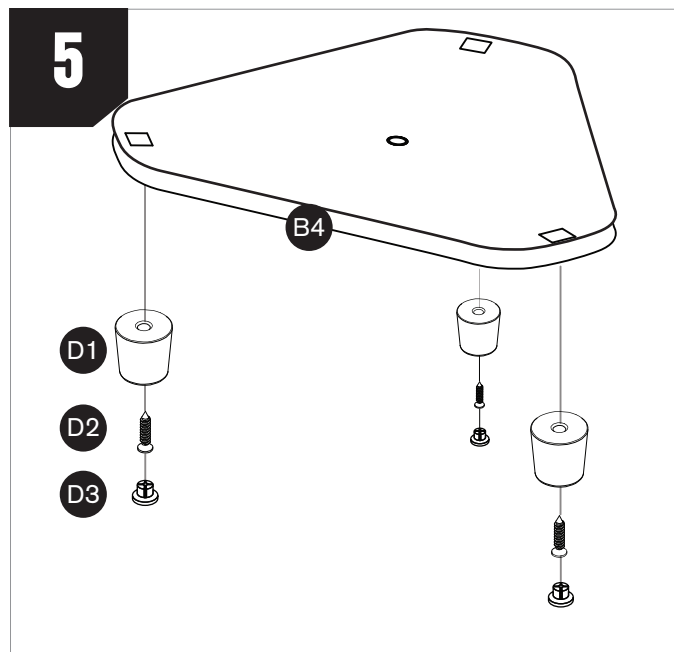
2. Se si desidera, è possibile installare i cappucci copriviti (B6) sulle viti installate al Punto 1. Premere fermamente i cappucci sulle teste delle viti. Per i modelli da 114mm e 130mm sono presenti 2 cappucci copriviti da installare, per il modello da 150mm sono presenti 6 cappucci da installare.



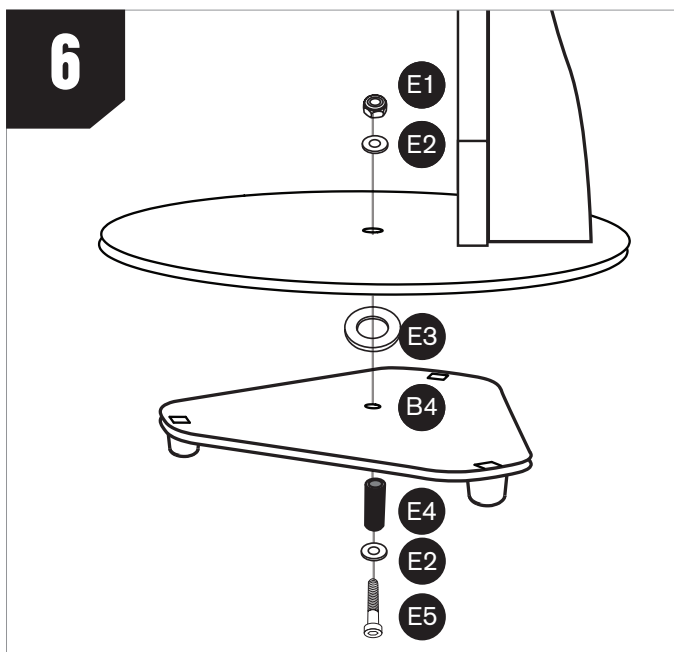
3. Collegare il gruppo alla piastra superiore (B3) mediante le viti del gruppo base (B5). Orientare la piastra superiore in modo che il lato con il logo sia rivolto verso l'alto. Per i modelli da 114mm e 130mm sono presenti 4 viti da installare, per il modello da 150mm sono presenti 5 viti da installare.



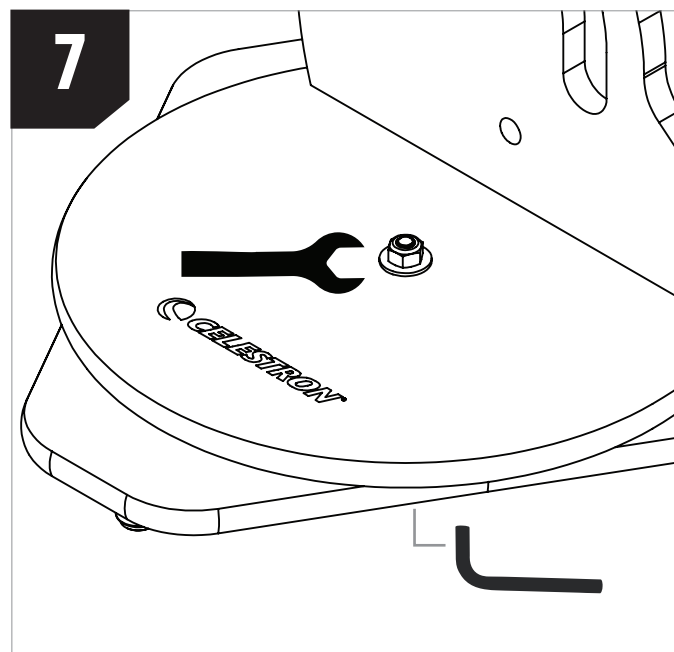
4. Fissare i 3 dischi dell'adattatore treppiede (C1) alla piastra inferiore (B4) mediante le viti per adattatore treppiede (C2). Avvitare fermamente le viti nei fori pilota presenti, ma non serrare eccessivamente per non danneggiare il legno.



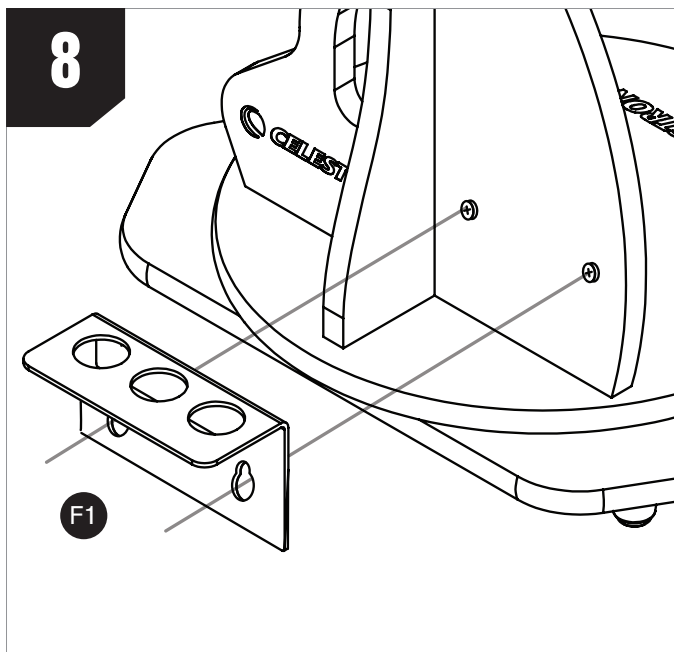
5. Fissare i 3 piedini (D1) alla piastra inferiore (B4) mediante le viti dei piedini (D2). Avvitare fermamente le viti nei fori pilota presenti. Una volta installati, premere i cappucci copriviti per piedini (D3) alle estremità dei piedini.



6. Collegare il gruppo alla piastra inferiore (B4). Sistemare una delle rondelle in acciaio (E2) e il cilindro in plastica (E4) sul bullone (E5). Quindi inserire il bullone nel foro centrale della piastra inferiore. Quindi, sistemare la rondella in teflon (E3) sul cilindro in plastica (E4) che ora fuoriesce dalla piastra inferiore. Prendere la base assemblata e abbassarla sulla piastra inferiore in modo che il cilindro in plastica passi attraverso il foro centrale della piastra superiore. Ora, sistemare la restante rondella in acciaio (E2) all'estremità del bullone che fuoriesce dalla piastra superiore. Avvitare il dado (E1) sul bullone. Passare al punto 7 per istruzioni su come serrare il bullone.

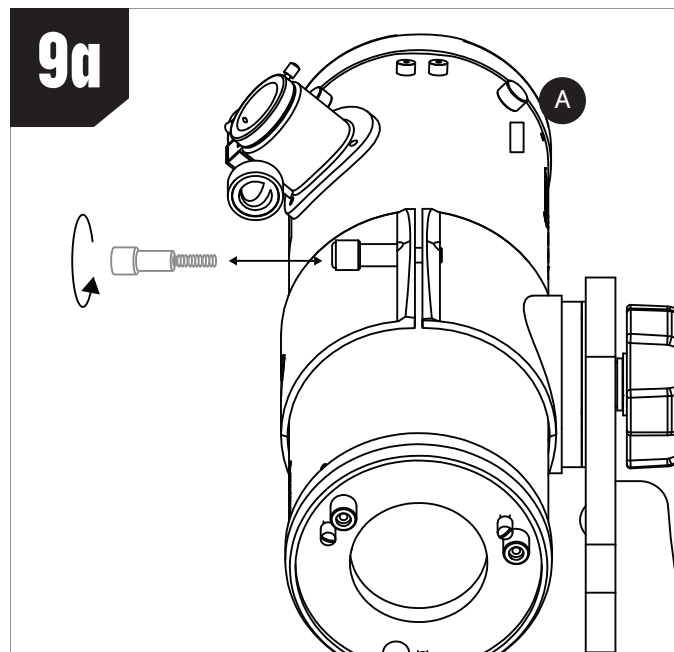


7. Usare la chiave inglese e la chiave a brugola grande per serrare il dado sul bullone. Tenere ferma la testa del bullone con la chiave a brugola e usare la chiave inglese per serrare il dado. **NON SERRARE ECCESSIVAMENTE IL DADO!** Con un po' di forza, dovrebbe essere ancora possibile muovere con le dita la rondella in acciaio sotto il dado. Se non è possibile muovere la rondella con le dita, allentare leggermente il dado.



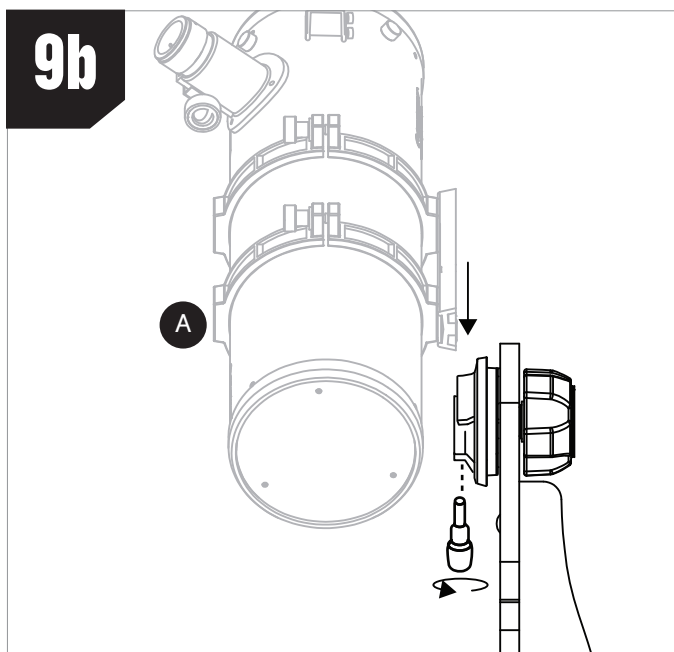
8. Installare la griglia oculari (**F1**) sistemando i fori della griglia sulle viti di montaggio pre-installate nel pannello laterale, quindi spingere la griglia verso il basso.

NOTA: Se si desidera rimuovere la griglia per riporla o trasportarla, tirarla semplicemente verso l'alto.



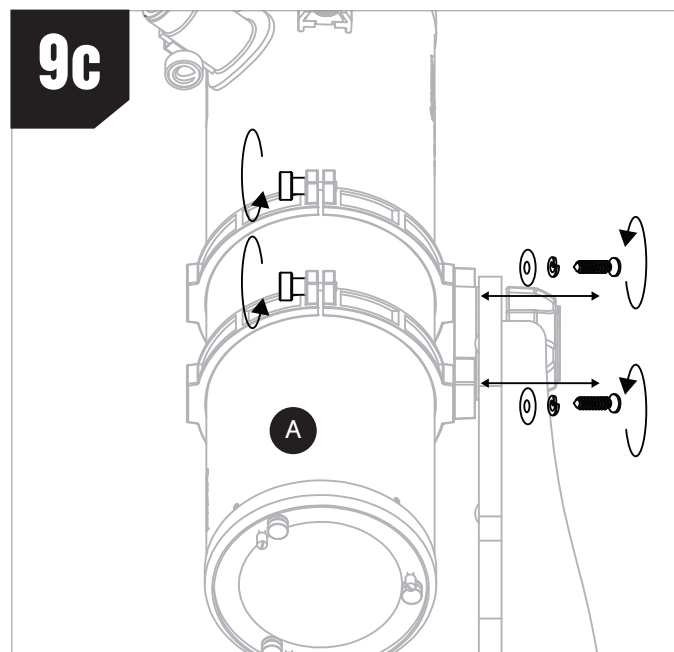
Per il modello da 114mm:

9a. Collegare il gruppo tubo ottico (**A**) alla base assemblata. Svitare completamente la manopola di fermo sul supporto e aprirlo. Sistemare il tubo ottico sul supporto come mostrato, chiudere il supporto e serrare nuovamente la manopola di fermo fino a serrarlo.



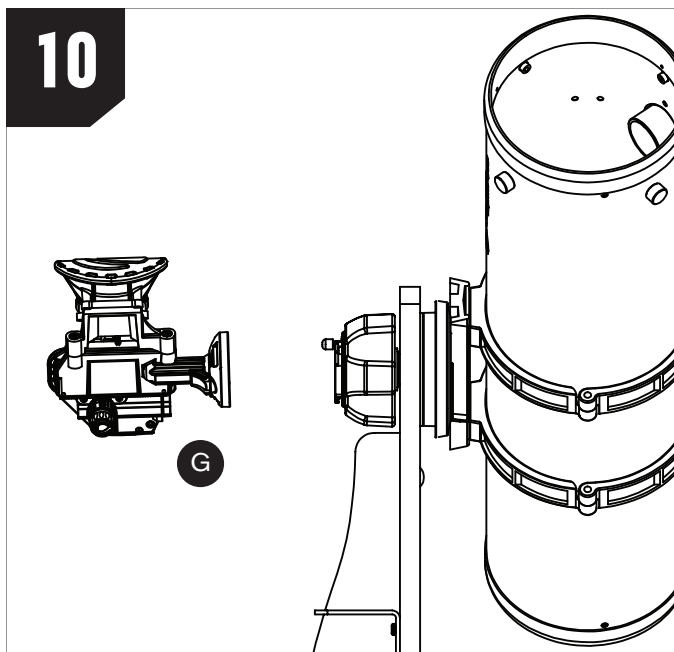
Per il modello da 130mm:

9b. Allentare la manopola sul supporto a coda di rondine sul pannello laterale. Quindi, inserire la coda di rondine fissata al tubo ottico con gli appositi anelli, fissare poi la manopola fino a quando la coda di rondine è fissata al supporto.

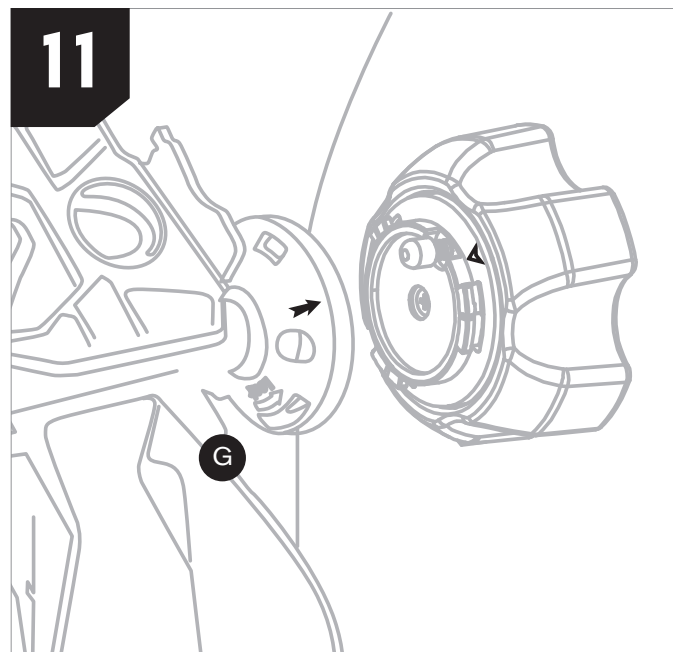


Per il modello da 150mm:

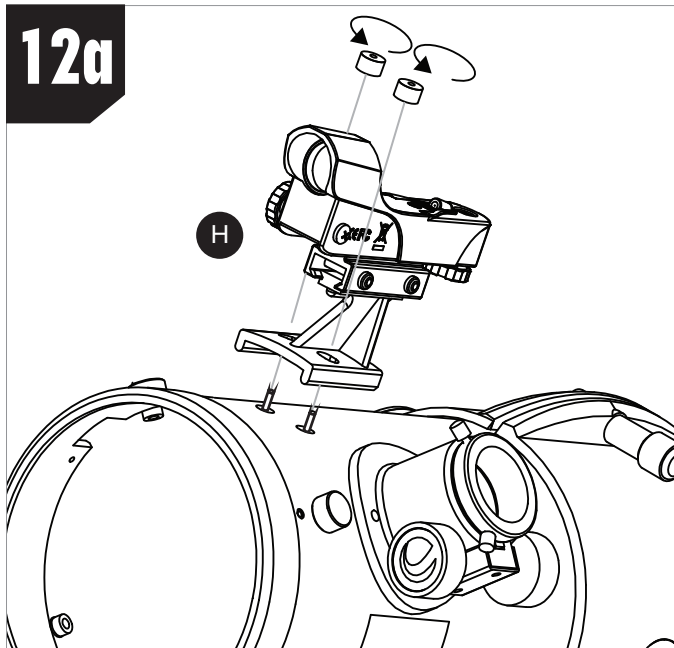
9c. Collegare il gruppo tubo ottico (**A**) alla base assemblata. Occorre collegare gli anelli del tubo alla piastra di montaggio degli anelli sulla base. Utilizzare le viti e le rondelle di blocco già installate sugli anelli per fare ciò. È più facile rimuovere innanzitutto gli anelli dal tubo ottico per assemblarli nella piastra di montaggio. Svitare completamente le manopole degli anelli del tubo e aprire gli anelli per rimuovere il tubo.



10. Installare l'attacco StarSense (G). Inserire la montatura a baionetta sul lato dell'attacco nella porta sul pannello laterale della base.

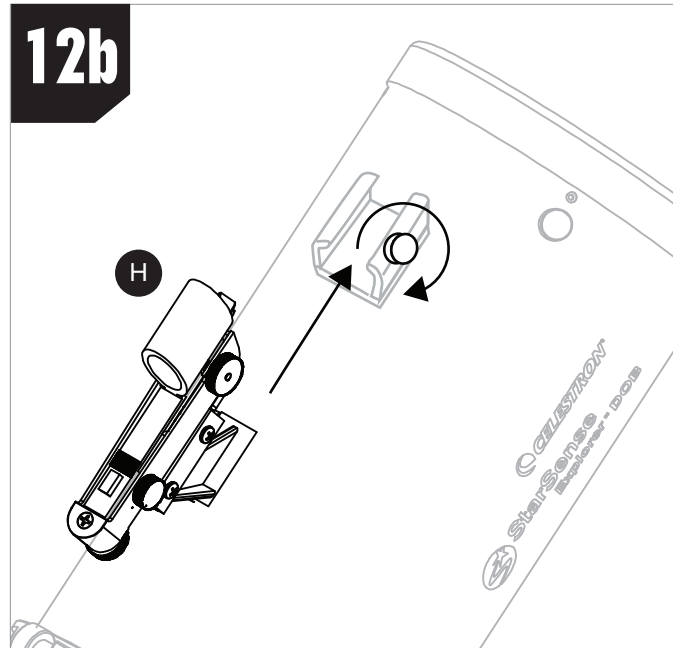


11. Allineare la freccia sull'aggancio con il segno presente sulla base e premere verso l'interno ruotando contemporaneamente in senso antiorario l'aggancio fino a quando il pulsante di rilascio arancione scatta in posizione sul foro dell'aggancio. Per rimuovere l'aggancio, premere il pulsante di rilascio arancione e ruotare l'aggancio in senso orario fino al rilascio della montatura a baionetta.



Per il modello da 114mm:

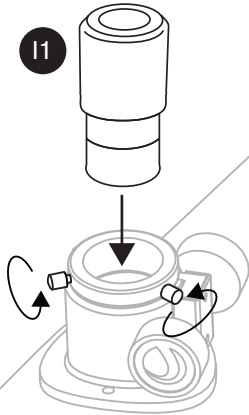
12a. Installare il cercatore con mirino StarPointer (H) sul gruppo tubo ottico. Innanzitutto, svitare e rimuovere i due dadi dalle aste filettate vicine al focheggiatore. Sistemare lo StarPointer sul tubo in modo che le aste filettate passino attraverso i fori nella base dello StarPointer, quindi avvitare nuovamente i dadi sulle aste per fissare lo StarPointer.



Per i modelli da 130mm e 150mm:

12b. Installare il cercatore con mirino StarPointer (H) sul gruppo tubo ottico. Innanzitutto, allentare la vite sul supporto del cercatore. Inserire la base dello StarPointer nel supporto e serrare la vite.

13

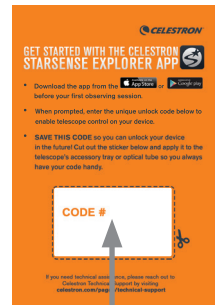


Download e attivazione dell'app



Prima di portare fuori il telescopio, scaricare l'app StarSense Explorer sul proprio dispositivo mobile. Cercare "Celestron StarSense Explorer" nell'App Store Apple o su Google Play. L'app è di grandi dimensioni, pertanto si consiglia di scaricarla mentre si è connessi al Wi-Fi.

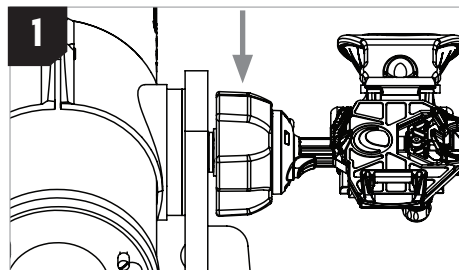
Una volta scaricata l'app, individuare la cartolina arancione all'interno della scatola del telescopio. Avviare l'app. Quando richiesto, inserire il codice di attivazione presente sulla cartolina per attivare l'app. Il codice consente di sbloccare fino a 5 dispositivi alla volta.



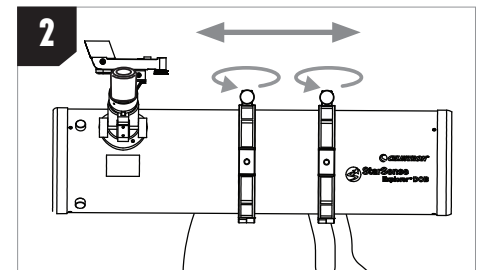
13. Allentare le viti di fissaggio sull'estremità del foccheggiatore, rimuovere il tappo del foccheggiatore e inserire l'oculare da 25mm (o 17mm). Serrare nuovamente le viti di fissaggio sul foccheggiatore per fissare l'oculare in posizione.

Bilanciamento del telescopio

Per movimenti in altitudine ottimali (su e giù), il tubo ottico del telescopio deve essere bilanciato approssimativamente sulla base.



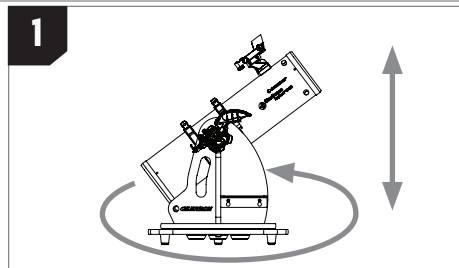
1. Per verificare il bilanciamento, allentare la manopola di tensionamento dell'altitudine in modo che l'asse dell'altitudine si muova liberamente. Osservare se il telescopio si sposta in avanti (avanti-pesante) o indietro (indietro-pesante).



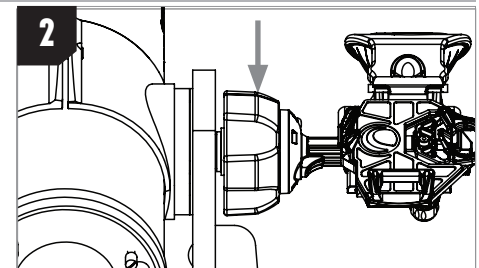
2. Allentare le manopole degli anelli del tubo (modelli da 130mm e 150mm) o la manopola del fermo del tubo (114mm) e spostare il telescopio in avanti o indietro negli anelli/ supporto, in modo da essere bilanciato. Al termine, serrare nuovamente le manopole.

Spostamento del telescopio

Il telescopio da tavolo Dobson StarSense Explorer si sposta liberamente in altitudine (su e giù) e lungo l'azimut (da sinistra a destra).

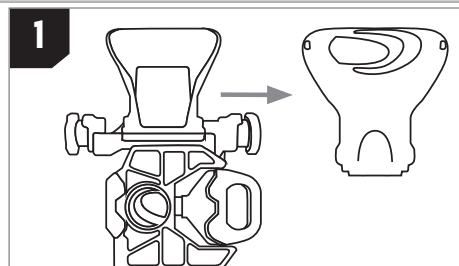


1. Per spostare il tubo, è sufficiente spingerlo nella direzione desiderata. Per il modello da 150mm, è possibile usare la manopola sulla parte anteriore del telescopio come maniglia.

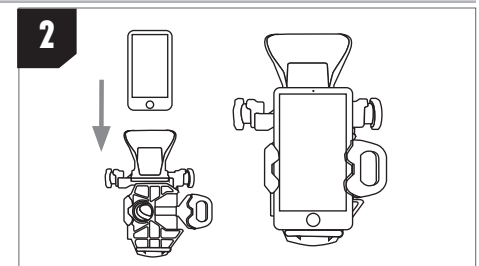


2. Se lo spostamento in altitudine è troppo libero, o se il telescopio si sposta verso l'alto o verso il basso senza necessità di applicare forza, serrare la manopola di tensionamento dell'altitudine. Similmente, se occorre eccessiva forza per spostare il telescopio verso l'alto o verso il basso, allentare la manopola.

Fissaggio dello smartphone



1. Rimuovere il coperchio grande che copre lo specchio nella parte anteriore dell'aggancio StarSense.



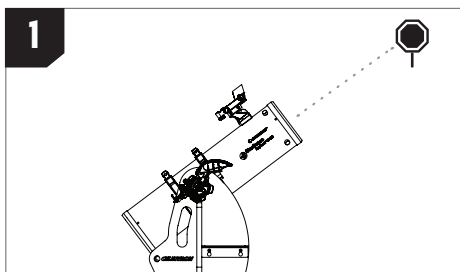
2. Tirare per aprire il binario caricato a molla in cima all'aggancio per telefono e sistemare il telefono nel supporto in modo che sia a contatto con il lembo inferiore del supporto del telefono. Rilasciare lentamente il binario per fissare il telefono in posizione.

Allineamento dello StarPointer

Il cercatore con mirino StarPointer è uno dei componenti più importanti del telescopio. Sebbene l'app StarSense Explorer individui e centri i corpi celesti, un corretto allineamento dello StarPointer aiuta ad allineare l'app al telescopio. Al primo assemblaggio del telescopio è necessario allineare il cercatore con le ottiche principali del telescopio. È preferibile eseguire questa operazione durante il giorno.*

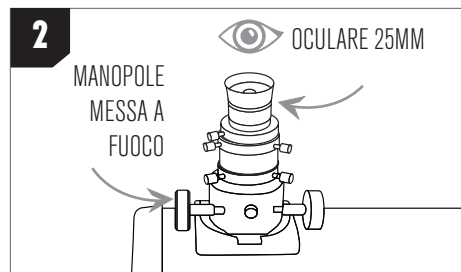


*** AVVERTENZA SOLARE!** Non tentare mai di osservare il Sole attraverso un telescopio senza un filtro solare adeguato.



1. SCEGLIERE UN OGGETTO

Portare il telescopio all'esterno durante il giorno e individuare un oggetto facilmente riconoscibile, come ad esempio un semaforo, la targa di un'auto o un cartello. L'oggetto dovrebbe trovarsi il più lontano possibile, minimo a 400 metri.



2. CENTRARE L'OGGETTO NELL'OCULARE

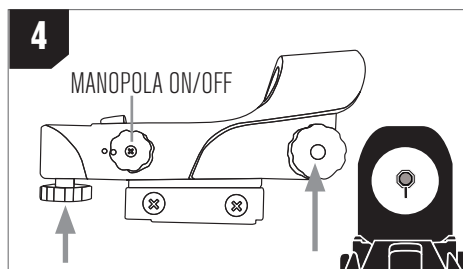
Guardare attraverso il telescopio utilizzando l'oculare da 25mm (17mm per il modello 114). Muovere il telescopio fino a quando l'oggetto prescelto si trova al centro del campo visivo. Se l'immagine è sfocata, ruotare con delicatezza le manopole di messa a fuoco fino a quando l'immagine non è nitida.

NOTA: L'immagine del telescopio potrebbe apparire capovolta. Ciò è perfettamente normale per un telescopio astronomico.



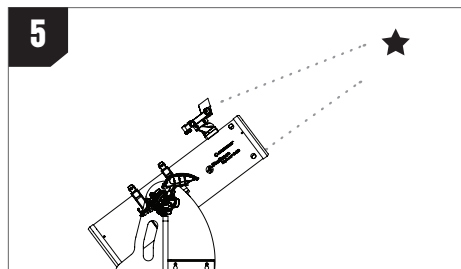
3. GUARDARE ATTRAVERSO IL CERCATORE

Estrarre la linguetta protettiva della batteria dallo StarPointer e impostarlo alla luminosità massima mediante la manopola on/off. Osservare attraverso lo StarPointer e localizzare il mirino.



4. REGOLARE IL CERCATORE

Senza spostare il telescopio, utilizzare le due manopole di regolazione per spostare il puntino rosso fino a quando appare sullo stesso oggetto che si sta osservando nell'oculare a bassa potenza.



5. IL CERCATORE È ORA ALLINEATO!

Non occorre effettuare un nuovo allineamento salvo colpi o cadute. Ora, quando si guarda attraverso lo StarPointer, il puntino rosso indica dove sta puntando il telescopio. Non dimenticare di spegnere il mirino al termine per preservare la batteria.

La prima osservazione notturna

Congratulazioni! Il telescopio è ora configurato e tutto è pronto per esplorare il cosmo. Portare all'esterno il telescopio, inserire l'oculare da 25 mm (17mm per il modello 114), rimuovere il tappo dalla lente, inserire lo smartphone nel supporto e avviare l'app StarSense Explorer. Il tutorial dell'app guida l'utente attraverso i vari passaggi necessari per localizzare il primo oggetto astronomico.



Per maggiori informazioni sul prodotto, visitare la relativa pagina del prodotto su [celestron.com/ssetelesopes](https://www.celestron.com/ssetelesopes)

Strumenti Celestron per astronomi

⚠ AVVERTENZA RELATIVA ALLA BATTERIA		
<ul style="list-style-type: none"> • PERICOLO DI INGESTIONE: Il prodotto contiene una batteria a bottone. • MORTE o lesioni gravi possono verificarsi in caso di ingestione. • L'ingestione di una batteria a bottone può causare Bruciori interni dovuti a sostanze chimiche in appena 2 ore. • Tenere le batterie nuove e usate LONTANO DALLA PORTATA DEI BAMBINI • CONSULTARE UN MEDICO se si ha il sospetto che la batteria sia stata ingerita o inserita all'interno del corpo. 		

NOTA FCC: Il presente dispositivo è conforme alla Parte 15 delle Norme FCC. L'utilizzo è soggetto alle seguenti due condizioni: (1) Il presente dispositivo non deve causare interferenze dannose, e (2) il presente dispositivo deve accettare qualsiasi interferenza ricevuta, comprese interferenze che potrebbero causare un funzionamento indesiderato.

ISTRUZIONI DI SICUREZZA

- Rischio di esplosione se la batteria è sostituita con un tipo di batteria non corretto.
- La batteria in dotazione non è ricaricabile.
- Utilizzare la batteria esclusivamente come previsto originariamente per evitare un corto circuito. Quando il materiale conduttivo è in contatto diretto con il polo positivo e negativo della batteria si ha un corto circuito.
- Non usare una batteria danneggiata.
- Non conservare la batteria in un ambiente eccessivamente freddo o caldo. Ciò può ridurre la durata della batteria.
- Quando si sostituisce la batteria, consultare il manuale di istruzioni e assicurarsi che i poli positivo e negativo siano orientati correttamente.
- Non gettare la batteria nelle fiamme.
- Smaltire la batteria in conformità ai regolamenti locali.

Per maggiori informazioni sul prodotto, visitare la relativa pagina su [celestron.com](https://www.celestron.com)



AVVERTENZA SOLARE:

Non tentare mai di osservare il Sole attraverso un telescopio senza un filtro solare adeguato.



[celestron.com/pages/warranty](https://www.celestron.com/pages/warranty)
BISOGNO DI AIUTO? Contattare il supporto tecnico Celestron
[celestron.com/pages/technical-support](https://www.celestron.com/pages/technical-support)

Il design del prodotto e le specifiche sono soggetti a modifiche senza previa notifica. Questo prodotto è progettato per essere utilizzato da persone di età pari o superiore ai 14 anni



©2023 Celestron. Celestron e Symbol sono marchi di Celestron, LLC. Tutti i diritti riservati. Celestron.com • 2835 Columbia Street, Torrance, CA 90503 Stati Uniti

Prodotto in Cina | 06-23

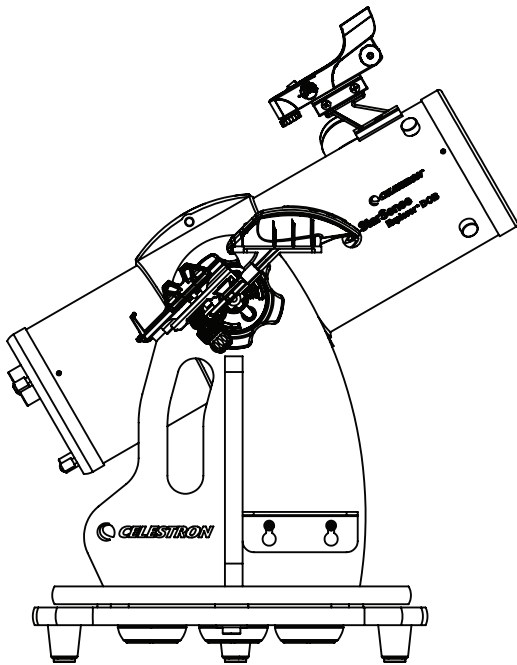
StarSense
Explorer™ DOB

Guía de instalación rápida

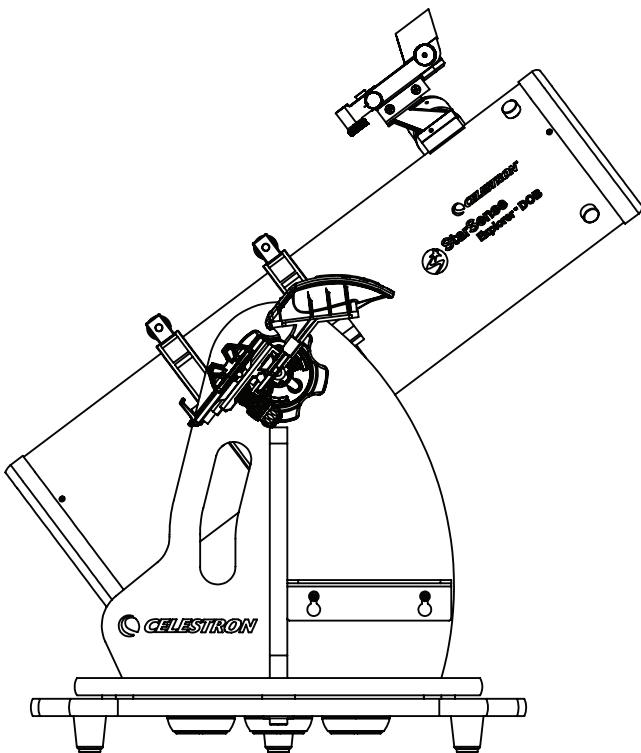
#22480 DOBSONIANO DE SOBREMESA STARSSENSE EXPLORER 114MM

#22481 DOBSONIANO DE SOBREMESA STARSSENSE EXPLORER 130MM

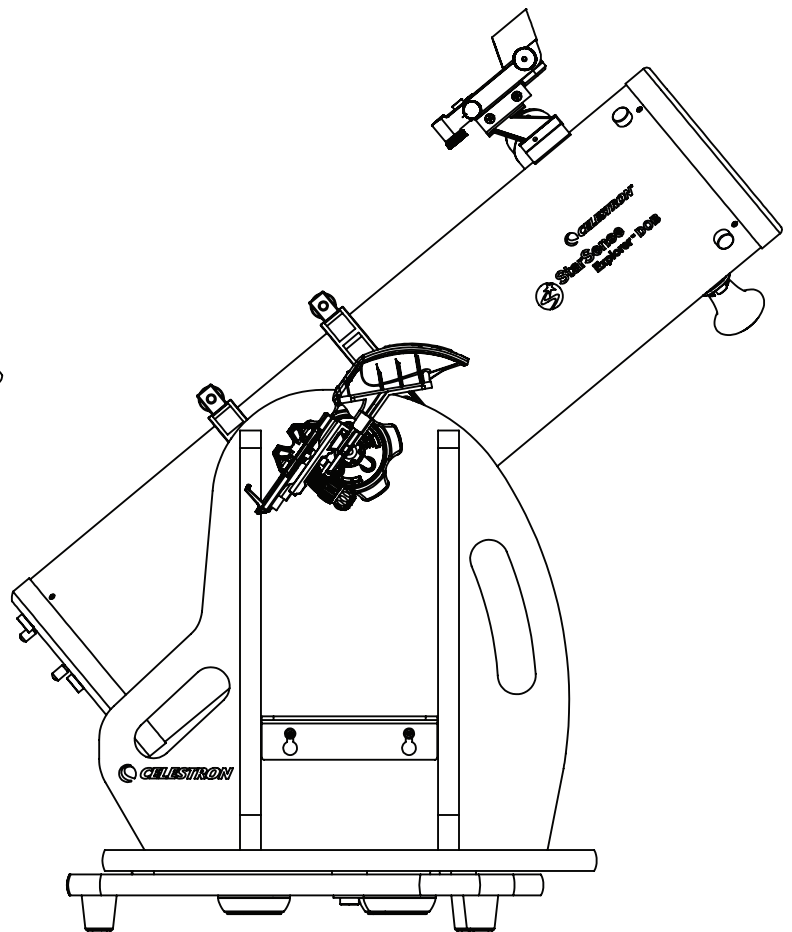
#22482 DOBSONIANO DE SOBREMESA STARSSENSE EXPLORER 150MM



114mm

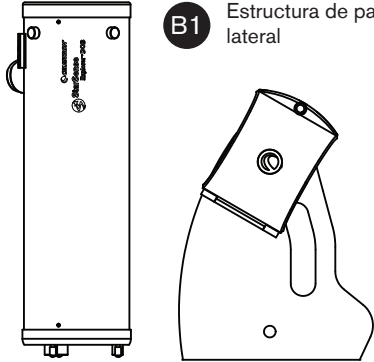
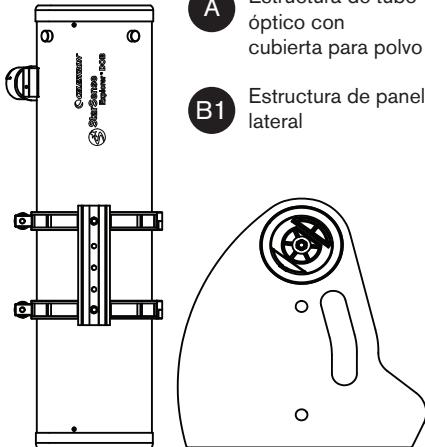
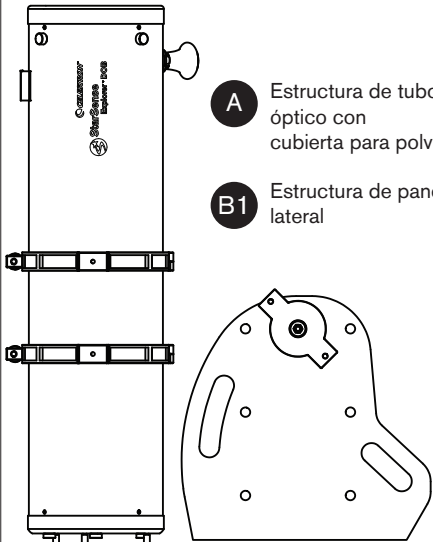



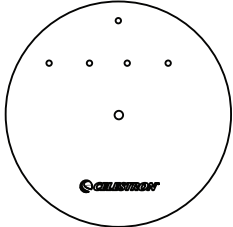
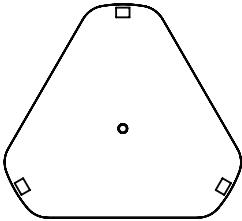


130mm




150mm

Contenido de la caja

114mm	130mm	150mm
 <p>A Estructura de tubo óptico con cubierta para polvo</p> <p>B1 Estructura de panel lateral</p>	 <p>A Estructura de tubo óptico con cubierta para polvo</p> <p>B1 Estructura de panel lateral</p>	 <p>A Estructura de tubo óptico con cubierta para polvo</p> <p>B1 Estructura de panel lateral</p>

 <p>B2 Soporte(s) lateral(es) 114mm (x1) 130mm (x1) 150mm (x2)</p>	 <p>B3 Plancha superior</p>	 <p>B4 Plancha inferior</p>	 <p>B5 Tornillos de montaje de base 114mm (x6) 130mm (x7) 150mm (x11)</p>	 <p>B6 Cubiertas de tornillos de montaje de base 114mm (x2) 130mm (x2) 150mm (x6)</p>
--	--	--	--	--

ADAPTADOR PARA TRÍPODE



C1 Discos de adaptador para trípode (x3)

C2 Tornillos de adaptador para trípode (x9)

MONTAJE DE PATAS




D1 Patas (x3)

D2 Tornillos para patas (x3)

D3 Cubiertas de tornillos de patas (x3)

MONTAJE DE PERNO DE PIVOTAJE AZIMUT



E1 Rosca

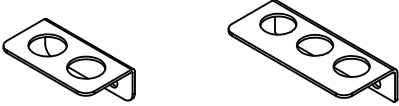
E2 Arandelas de acero (x2)

E3 Arandela de teflón

E4 Cilindro de plástico hueco


E5 Perno

ESTRUCTURA DE SOPORTE DE OCULARES



F1 Soporte de oculares **114mm**

F1 Soporte de oculares **130mm**
150mm



G Conector StarSense Explorer

H Localizador de punto rojo StarPointer



I1 Ocular de 17mm (**114mm**)
Ocular de 25mm (**130mm** y **150mm**)

I2 Ocular de 10mm

J Tapón de colimado*

*Para el colimado de la óptica de su telescopio, consulte el manual de instrucciones completo en celestron.com.

HERRAMIENTAS INCLUIDAS

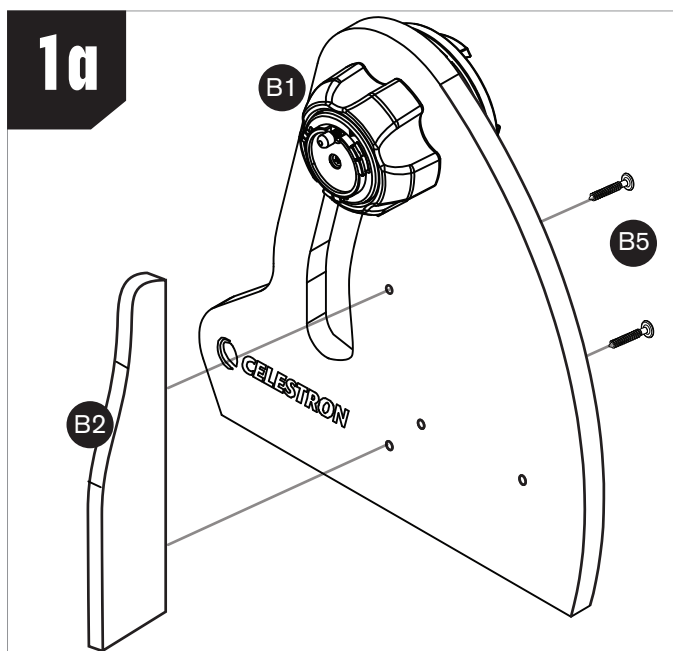


Destornillador

Llaves hexagonales **114mm** (x2)
130mm (x3)
150mm (x3)

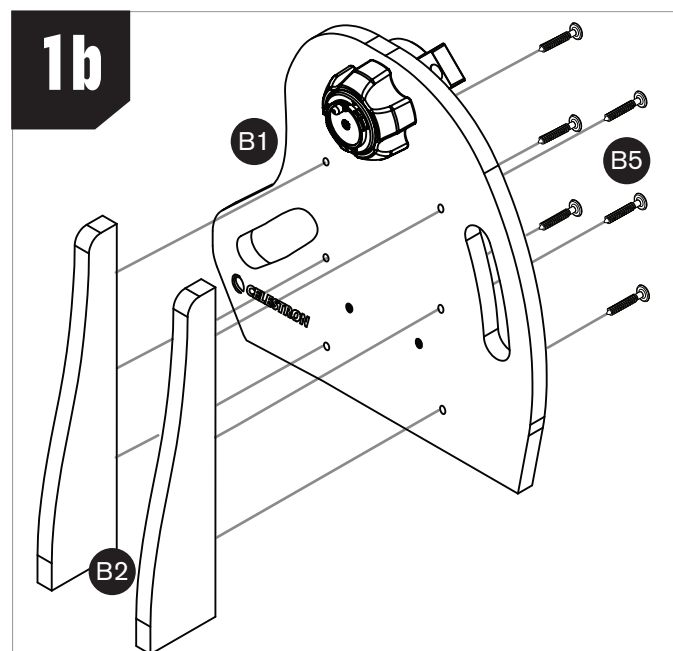
Llave abierta

Montaje



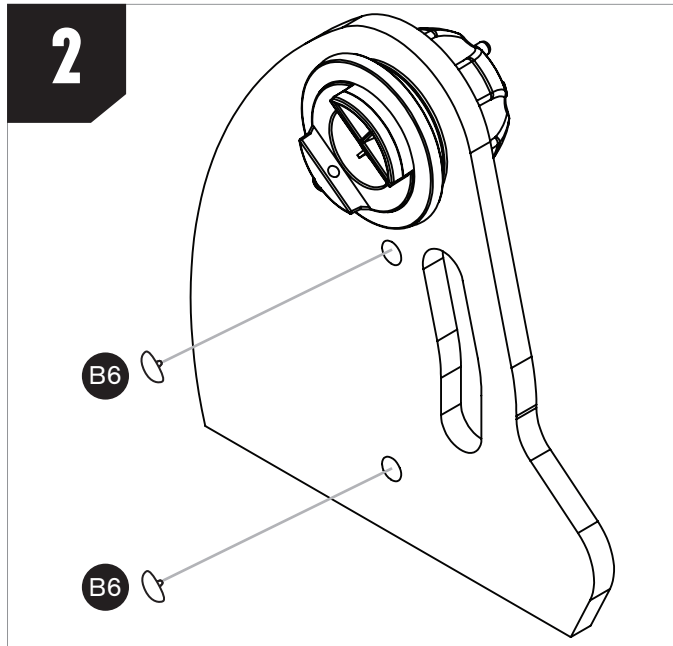
Para los modelos de 114mm y 130mm:

1. Conecte el soporte lateral (B2) al panel lateral (B1) con los tornillos de montaje de la base (B5). Los soportes van al mismo lado de los paneles que el logotipo de Celestron.

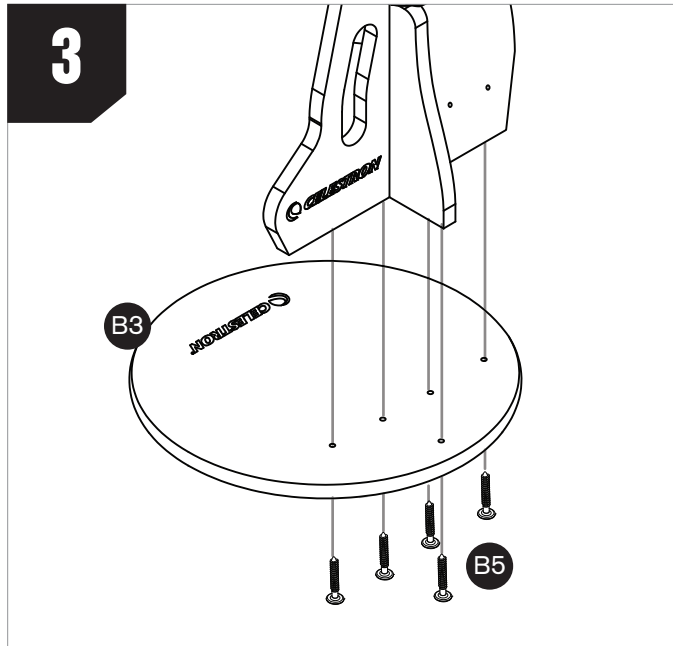


Para el modelo de 150mm:

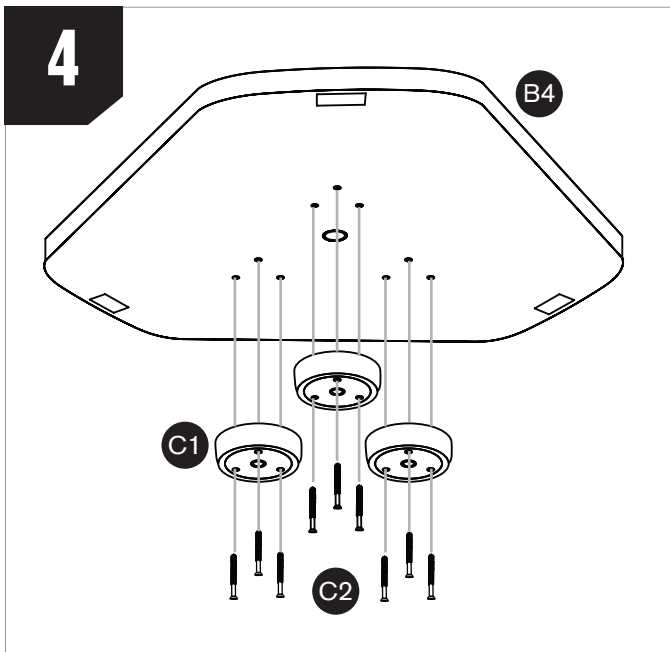
- 1a. Conecte los 2 soportes laterales (B2) al panel lateral (B1) con los tornillos de montaje de la base (B5). Los soportes van al mismo lado de los paneles que el logotipo de Celestron.



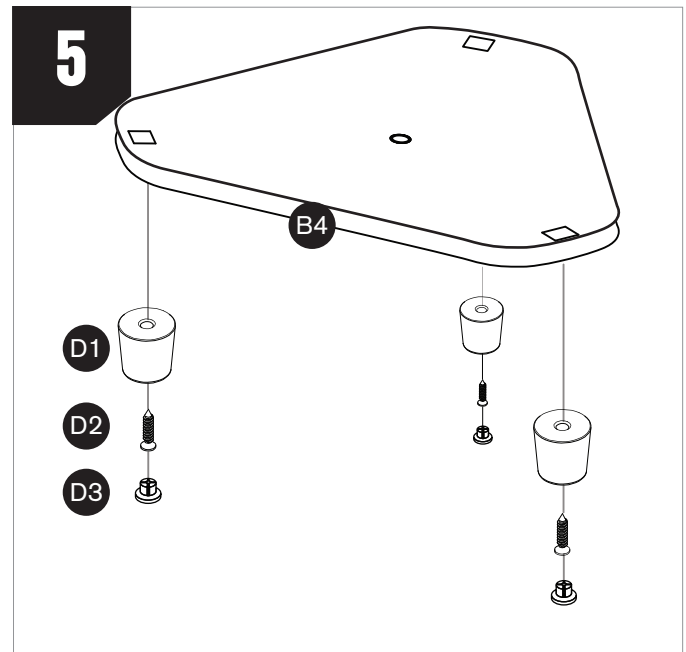
2. Si lo desea, puede instalar las cubiertas de tornillo cosméticas (B6) sobre los tornillos instalados en el paso 1. Presione firmemente las cubiertas sobre los cabezales de los tornillos. Para los modelos de 114mm y 130mm tendrá que instalar 2 cubiertas de tornillo, para el modelo de 150mm tendrá que instalar 6 cubiertas de tornillo.



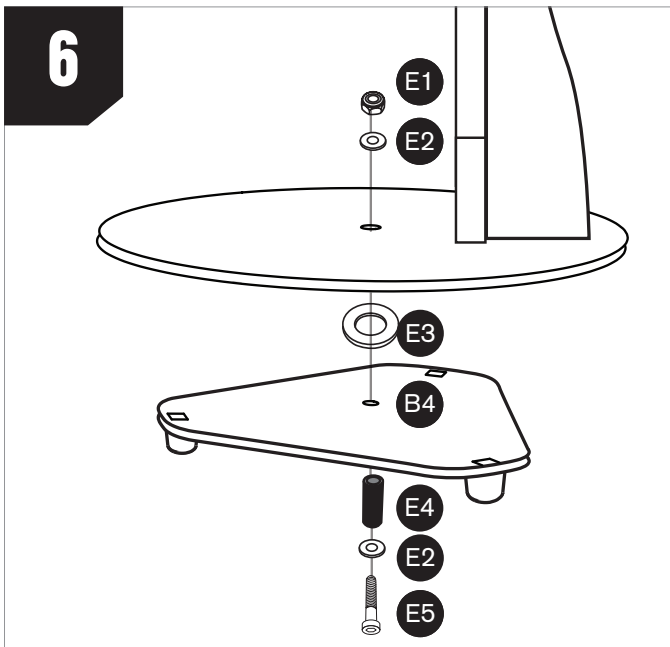
3. Conecte la estructura a la plancha superior (B3) usando los tornillos de montaje de la base (B5). Oriente la plancha superior de forma que el lado con el logotipo esté orientado hacia arriba. Para el modelo de 114mm tendrá que instalar 4 tornillos, para los modelos de 130mm y 150mm tendrá que instalar 5 tornillos.



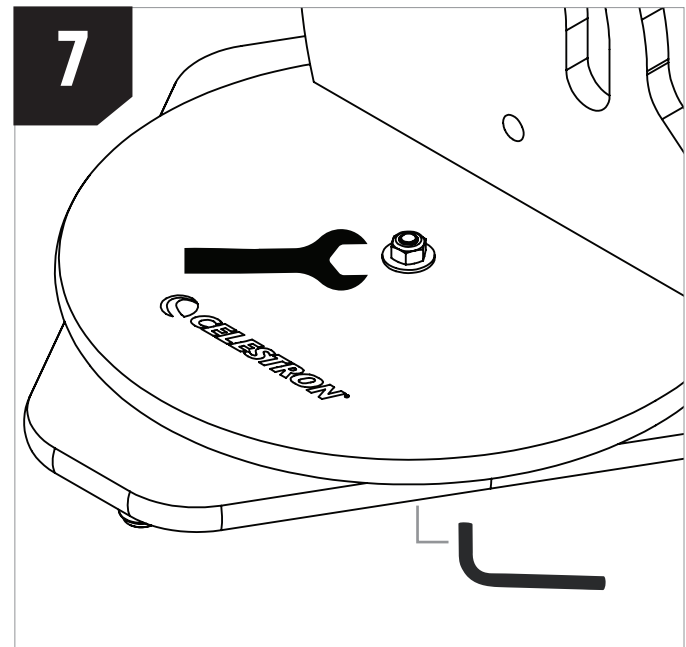
4. Instale los 3 discos del adaptador para trípode (C1) a la plancha inferior (B4) usando los tornillos del adaptador para trípode (C2). Atornille firmemente los tornillos en los agujeros pretaladrados, pero no los apriete en exceso o podría dañar la madera.



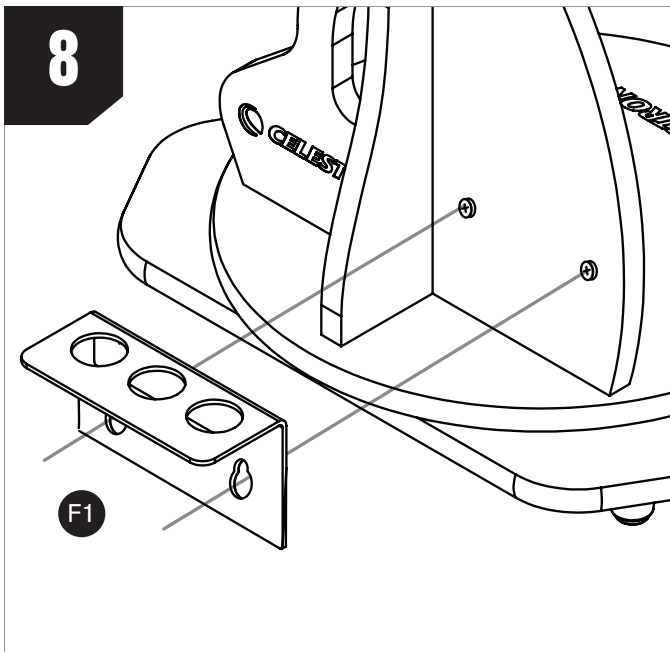
5. Instale las 3 patas (D1) en la plancha inferior (B4) usando los tornillos de las patas (D2). Enrosque firmemente los tornillos en los agujeros pretaladrados. Una vez instalados, presione las tapas de los tornillos de las patas (D3) en los extremos de las patas.



6. Conecte la estructura a la plancha inferior (B4). Ponga una de las arandelas de acero (E2) y el cilindro de plástico (E4) sobre el perno (E5). A continuación, introduzca el perno por el agujero central de la plancha inferior. A continuación, ponga la arandela de teflón (E3) sobre el cilindro de plástico (E4) que sobresale de la plancha inferior. Tome la base montada y bájela sobre la plancha inferior de forma que el cilindro de plástico pase por el agujero central de la plancha superior. A continuación, coloque la arandela de acero restante (E2) en el extremo del perno que sobresale de la plancha superior. Enrosque la rosca (E1) sobre el perno. Vaya al paso 7 para obtener instrucciones para apretar el perno.

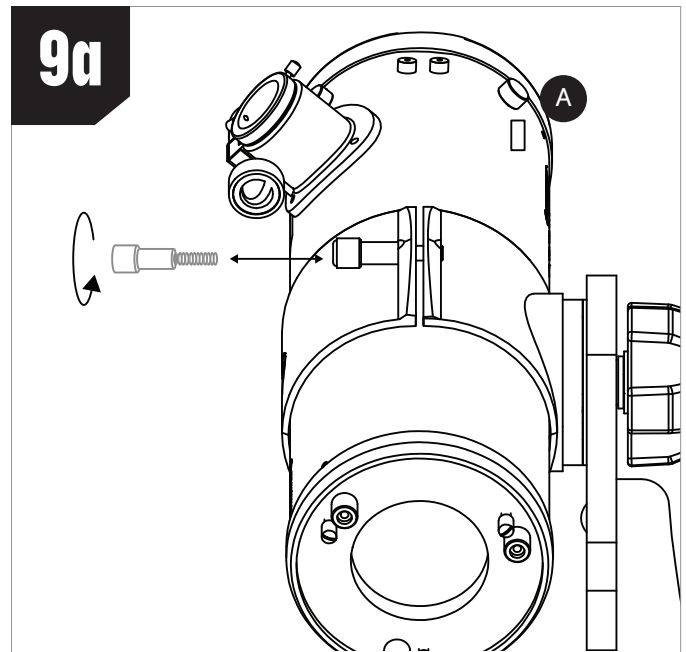


7. Use la llave abierta y la llave hexagonal grande para apretar la rosca sobre el perno. Aguante el cabezal del perno estacionario con una llave hexagonal mientras usa la llave abierta para apretar la rosca. **¡NO APRIETE LA ROSCA EN EXCESO!** Con cierta fuerza debería ser capaz de mover la arandela de acero bajo la rosca con los dedos. Si la arandela no puede moverse con los dedos, afloje ligeramente la rosca.



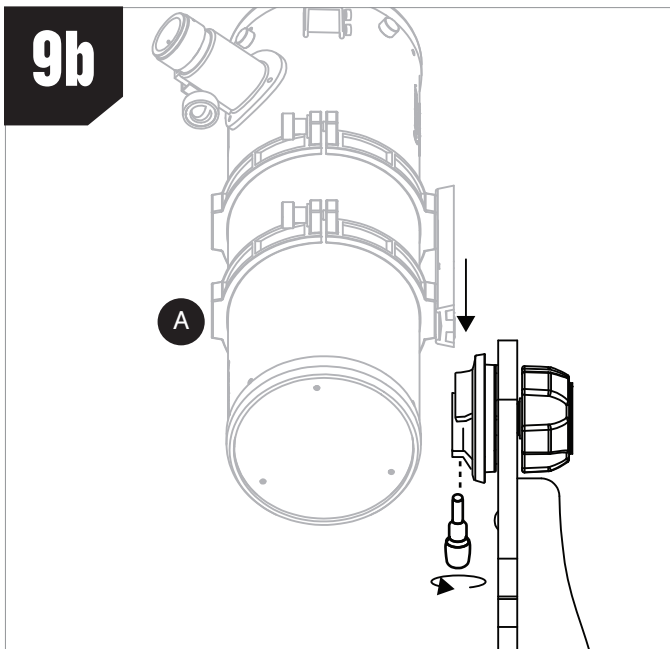
8. Instale el soporte de oculares (F1) colocando los huecos del soporte sobre los tornillos de montaje preinstalados en el panel lateral, y presione el soporte hacia abajo.

NOTA: Si desea sacar el soporte para almacenamiento o transporte, tire de él hacia arriba.



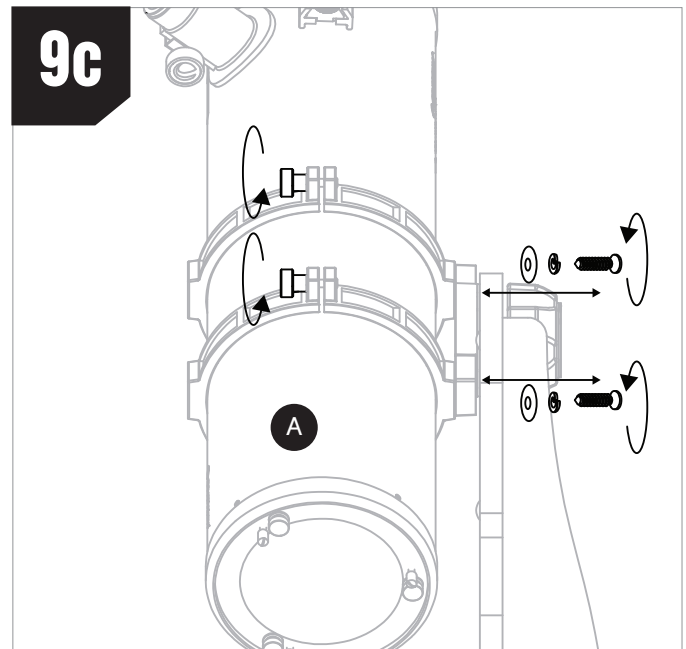
Para el modelo de 114mm:

9a. Conecte la estructura del tubo óptico (A) a la base montada. Desensrosque por completo el mando de fijación del soporte y abra el soporte. Ponga el tubo óptico en el soporte del modo indicado, cierre el soporte y vuelva a apretar el mando de fijación hasta que quede asegurado.



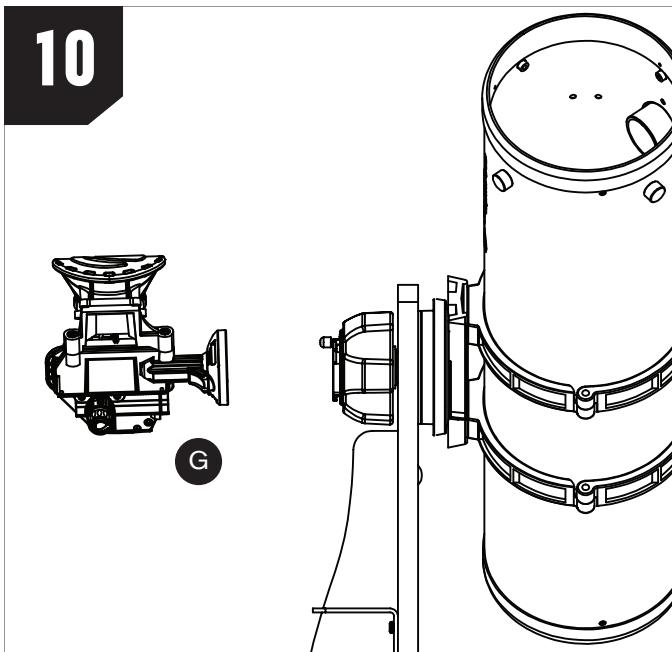
Para el modelo de 130mm:

9b. Afloje el mando del soporte machihembrado en el panel lateral. A continuación, inserte el machihembrado conectado al tubo óptico con las arandelas del tubo, y vuelva a apretar el mando hasta que el machihembrado quede asegurado en el soporte.

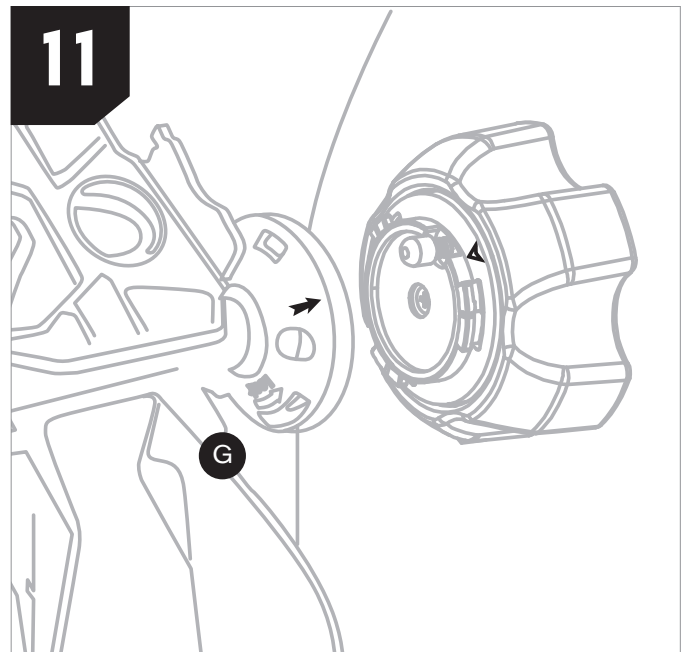


Para el modelo de 150mm:

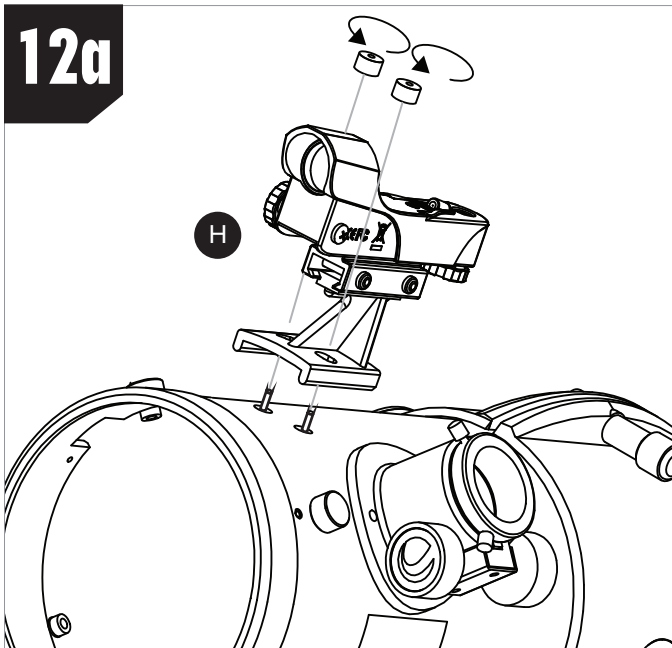
9c. Conecte la estructura del tubo óptico (A) a la base montada. Deberá conectar las anillas del tubo a la plancha de montaje de las anillas del tubo en la base. Use los tornillos y las arandelas de bloqueo ya instaladas en las anillas para hacerlo. Será más fácil retirar primero las anillas del tubo óptico para montarlas en la plancha de montaje. Desensrosque por completo los mandos de las anillas del tubo y ábralas para retirar el tubo.



10. Instale el conector de StarSense (G). Inserte el soporte de bayoneta en el lateral del conector en el puerto del panel lateral de la base.

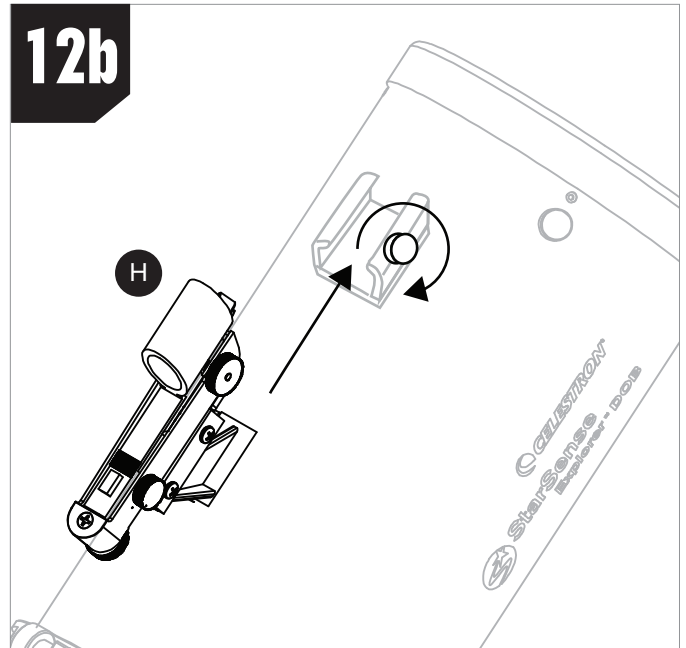


11. Alinee la flecha del conector con la marca de alineación de la base y presione hacia dentro girando el conector en sentido contrario a las agujas del reloj hasta que el botón de liberación naranja encaje en posición en el agujero del conector. Para sacar el conector pulse el botón de liberación naranja y gire el conector en el sentido de las agujas del reloj hasta que el soporte de bayoneta se suelte.



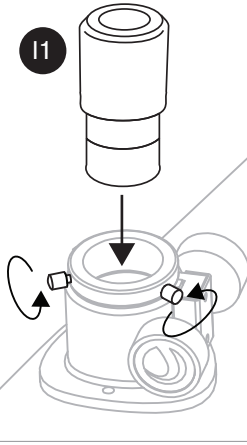
Para el modelo de 114mm:

12a. Instale el localizador de punto rojo StarPointer (H) en la estructura del tubo óptico. Primero, desenrosque y retire los dos tornillos manuales de los postes estriados adyacentes al enfoque. Ponga el StarPointer sobre el tubo de forma que los postes estriados pasen por los agujeros de la base del StarPointer, y vuelva a enroscar los tornillos manuales sobre los postes para asegurarlo.



Para los modelos de 130mm y 150mm:

12b. Instale el localizador de punto rojo StarPointer (H) en la estructura del tubo óptico. Primero, afloje el tornillo manual del soporte del localizador. Introduzca la base del StarPointer en el soporte y apriete el tornillo manual.

13

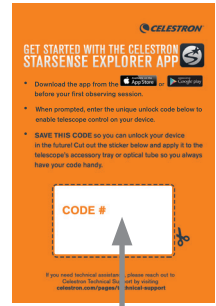
13. Afloje los tornillos manuales del extremo del enfoque, retire la tapa del enfoque e introduzca el ocular de 25mm (o 17mm). Vuelva a apretar los tornillos manuales del enfoque para fijar el ocular en posición.

Descargar y activar la app



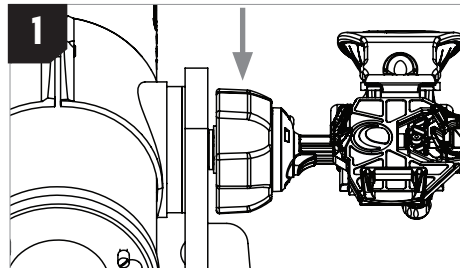
Antes de sacar el telescopio al exterior, descargue la app StarSense Explorer en su dispositivo móvil. Busque "Celestron StarSense Explorer" en Apple Store o Google Play. La app tiene un gran tamaño, recomendamos que la descargue cuando esté conectado a WiFi.

Cuando haya descargado la app, localice la tarjeta naranja en la caja de su telescopio. Ejecute la app. Cuando se solicite, introduzca el código de activación de la tarjeta para activar la app. Su código desbloqueará hasta 5 dispositivos.

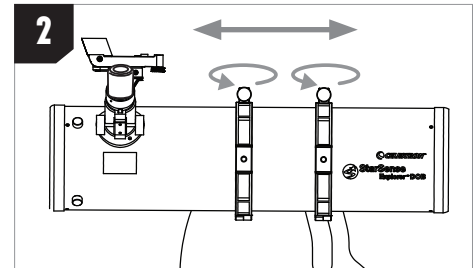


Equilibrar el telescopio

Para un mejor movimiento en altitud (arriba y abajo), el tubo óptico del telescopio debe estar equilibrado sobre la base de forma aproximada.



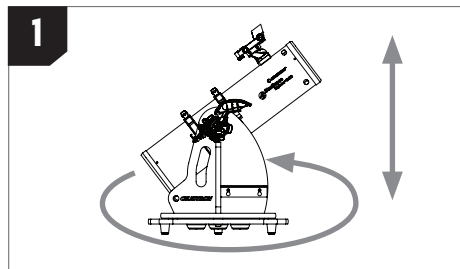
1. Para comprobar el equilibrio, afloje el mando de tensado de altitud de forma que el eje de altitud se mueva libremente. Observe si el telescopio tiende a inclinarse hacia adelante (peso anterior) o atrás (peso posterior).



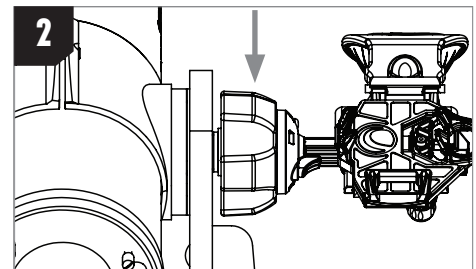
2. Afloje los mandos de la anilla del tubo (modelos de 130mm y 150mm) o el mando de la fijación del tubo (114mm) y deslice el telescopio hacia adelante o atrás en las anillas/fijación de forma que quede equilibrado. Vuelva a apretar el(los) mando(s) cuando haya terminado.

Mover el telescopio

El telescopio dobsoniano de sobremesa StarSense Explorer se mueve libremente en altitud (arriba y abajo) y azimut (izquierda a derecha).

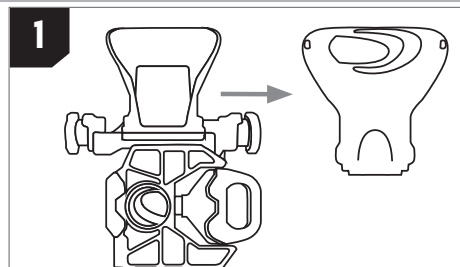


1. Mueva el tubo empujándolo en la dirección deseada. Para el modelo de 150mm puede usar el mango de la parte delantera del telescopio para agarrarlo con la mano.

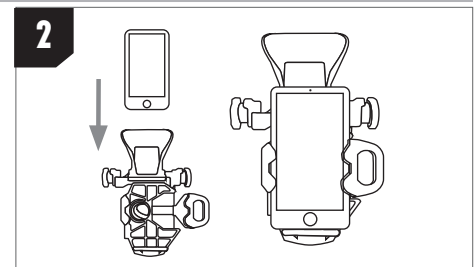


2. Si el movimiento en altitud es demasiado libre, o el telescopio se mueve arriba o abajo sin aplicar fuerza, apriete el mando de tensado de altitud. Por otro lado, si es necesaria demasiada fuerza para mover el telescopio arriba o abajo, afloje el mando.

Instalar el teléfono



1. Saque la tapa grande que cubre el espejo de la parte anterior del conector de StarSense.



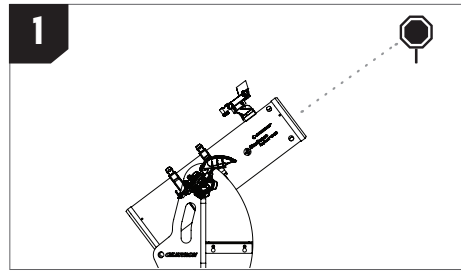
2. Abra el deslizador de muelle de la parte superior del conector del teléfono y coloque el teléfono en el soporte de forma que quede llano con el borde inferior del soporte del teléfono. Suelte lentamente el deslizador para asegurar el teléfono en posición.

Alinear el StarPointer

El localizador de punto rojo StarPointer es una de las piezas más importantes de su telescopio. Aunque la app StarSense Explorer localizará y centrará objetos por usted, tener correctamente alineado StarPointer ayudará a alinear la app con el telescopio. La primera vez que monte el telescopio, deberá alinear el localizador con la óptica principal del telescopio. Es preferible hacerlo de día.*

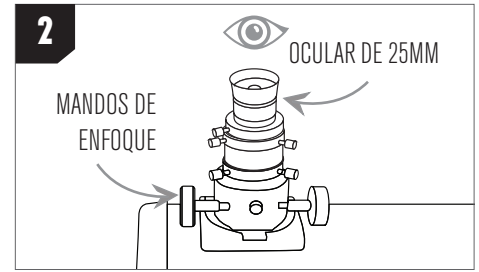


***¡AVISO SOLAR!** No intente nunca observar el sol por ningún telescopio sin un filtro solar adecuado.



1. SELECCIONE UN OBJETO

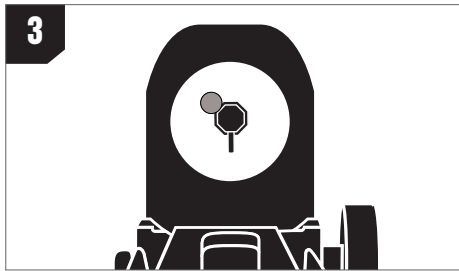
Saque el telescopio de día y localice un objeto fácilmente reconocible, como una farola, una matrícula de coche, o una señal. El objeto debe estar lo más lejos posible, al menos a 400 m.



2. CENTRE EL OBJETO EN EL OCULAR

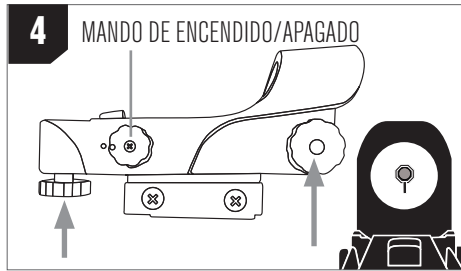
Mire por el telescopio usando el ocular de 25mm (17mm para el modelo de 114). Mueva el telescopio hasta que el objeto elegido quede en el centro del campo de visión. Si la imagen está borrosa, gire suavemente los mandos de enfoque hasta que quede enfocada.

NOTA: La imagen del telescopio puede aparecer invertida. Es normal en un telescopio astronómico.



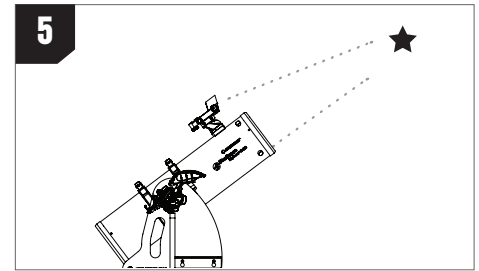
3. MIRE POR EL LOCALIZADOR

Saque la pestaña de protección de la batería de StarPointer y póngalo al máximo brillo usando el mando de encendido/ apagado. Mire por el StarPointer y localice el punto rojo.



4. AJUSTE EL LOCALIZADOR

Sin mover el telescopio, use los dos mandos de ajuste para mover el punto rojo hasta que aparezca sobre el mismo objeto que esté observando en el ocular de baja potencia del telescopio.



5. SU LOCALIZADOR ESTÁ ALINEADO.

No debería realinearse a menos que reciba golpes o caiga. Ahora, cuando mire por el StarPointer, el punto rojo indicará a dónde apunta el telescopio. No olvide apagar el punto rojo cuando termine para conservar batería.

Su primera noche en el exterior

Felicidades. El telescopio está totalmente montado y listo para explorar el cosmos. Saque el telescopio al exterior, introduzca el ocular de 25mm (17mm para el modelo de 114), saque la tapa de la lente, introduzca el teléfono en el soporte y ejecute la app StarSense Explorer. El tutorial de la app le guiará por los pasos para localizar su primer objetivo astronómico.



Para obtener más información de este producto, visite la página de producto correspondiente en celestron.com/ssetelesopes

Herramientas Celestron para astrónomos

 	<p>⚠️ ADVERTENCIA DE LA BATERÍA</p> <ul style="list-style-type: none"> • PELIGRO POR INGESTIÓN: Este producto contiene una batería de botón o moneda. • MUERTE o lesiones graves pueden darse si se ingiere. • Una batería de botón o moneda puede causar quemaduras químicas internas en tan solo 2 horas. • Mantenga las baterías nuevas y usadas FUERA DEL ALCANCE DE LOS NIÑOS • BUSQUE ATENCIÓN MÉDICA si sospecha que la batería se ha tragado o introducido en cualquier parte del cuerpo. 	
------	--	--

NOTIFICACIÓN FCC: Este dispositivo cumple con el apartado 15 de las normas FCC. Su uso está sujeto a las dos condiciones siguientes: (1) este dispositivo no puede causar interferencias nocivas, y (2) este dispositivo debe admitir cualquier interferencia recibida, incluidas las interferencias que puedan causar un funcionamiento indeseado.

INSTRUCCIONES DE SEGURIDAD

- Riesgo de explosión si se sustituye la batería por un tipo incorrecto.
- La batería incluida no es recargable.
- Use la batería exclusivamente del modo originalmente pretendido para evitar un cortocircuito. Cuando el material conductor se conecte directamente al positivo y negativo de la batería causará un cortocircuito.
- No use una batería dañada.
- No guarde la batería en un entorno extremadamente frío o cálido. Hacerlo puede reducir la duración de la batería.
- Cuando cambie la batería, consulte el manual de instrucciones y asegúrese de que los lados positivo y negativo estén correctamente orientados.
- No ponga la batería en el fuego.
- Deseche la batería según la normativa local.

Para obtener más información de este producto, visite la página de producto correspondiente en celestron.com



AVISO SOLAR:

No intente nunca observar el Sol por un telescopio sin un filtro solar adecuado.



celestron.com/pages/warranty



¿NECESITA AYUDA? Contacte con el soporte técnico de Celestron celestron.com/pages/technical-support

El diseño y las especificaciones del producto están sujetos a cambios sin notificación previa. Este producto ha sido diseñado y está pensado para ser usado por personas de 14 años o más de edad.



©2023 Celestron. Celestron y su símbolo son marcas comerciales de Celestron, LLC. Todos los derechos reservados. celestron.com • 2835 Columbia Street, Torrance, CA 90503 EE.UU.

Fabricado en China | 06-23